

# QL Parts list



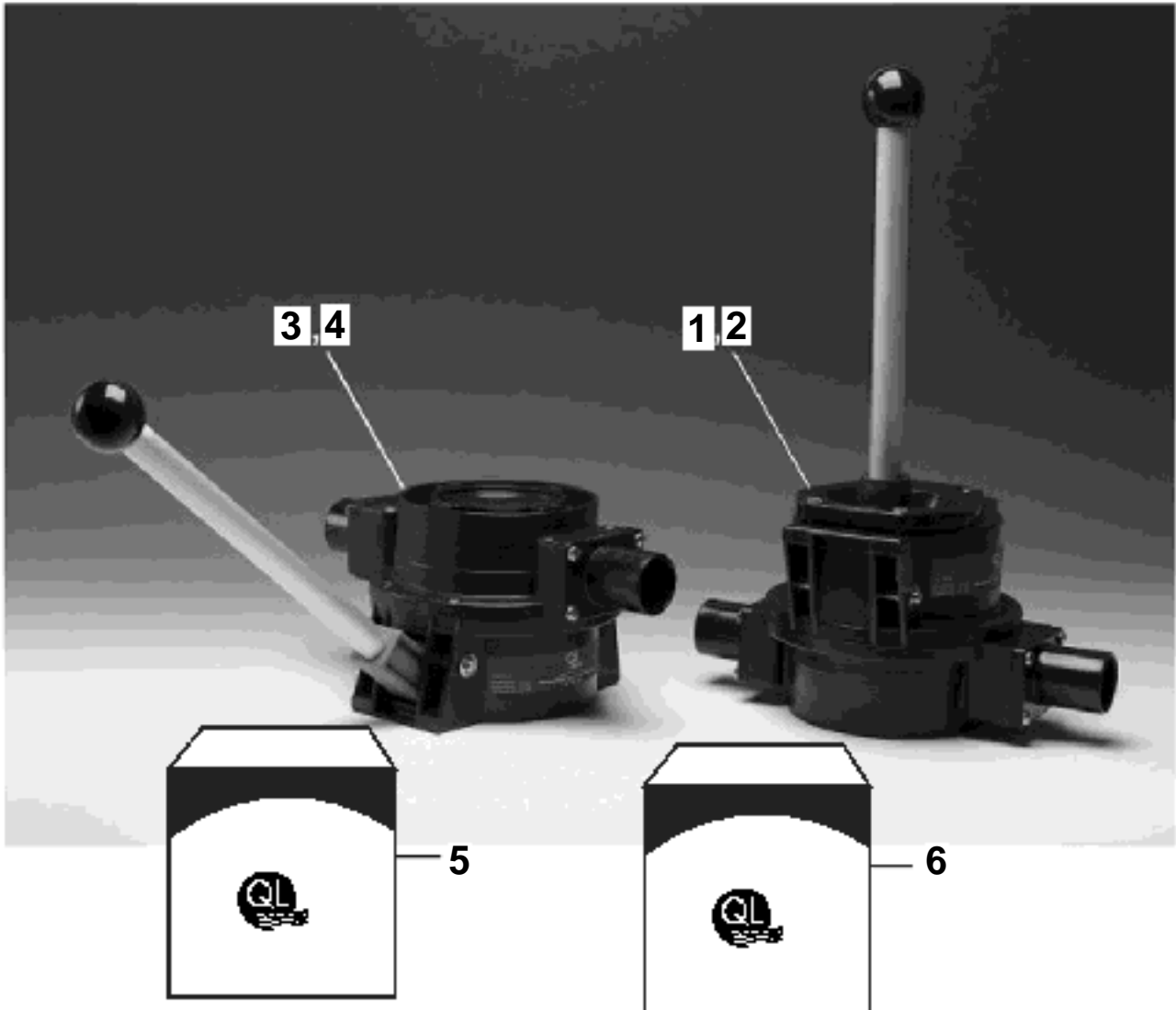
Marine Accessories  
By Volvo Penta

QL PUMP PROGRAMME



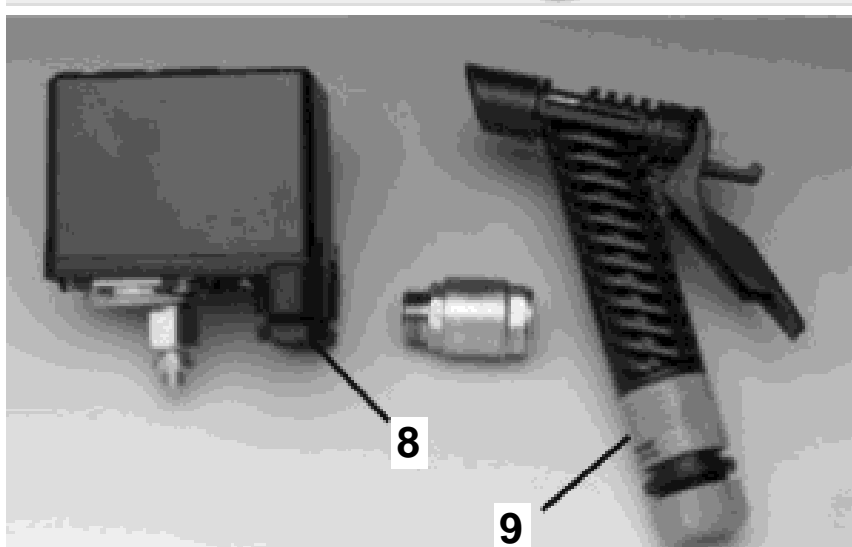
## QL PUMP PROGRAMME

REF	PART NO.	QTY	DESCRIPTION	NOTES
1	41100000	1	Bilge pump, Junior mate	30 l/min; 1800 l/h; 7.9 US gal/min; 475.5 US gal/h
2	41103000	1	Bilge pump, SBP45	45 l/min; 2700 l/h; 11.9 US gal/min; 713.3 US gal/h
3	41103001	1	Bilge pump, SBP55	55 l/min; 3300 l/h; 14.5 US gal/min; 872 US gal/h
4	41103002	1	Bilge pump, SBP65	65 l/min; 3900 l/h; 17.2 US gal/min; 1030.3 US gal/h
5	41103003	1	Bilge pump, SBP75	75 l/min; 4500 l/h; 19.8 US gal/min; 1088.8 US gal/h
6	41103008	1	Bilge pump, SBP130 12V	130 l/min; 7800 l/h; 34.3 US gal/min; 2060.5 US gal/h
7	41103009	1	Bilge pump, SBP130 24V	130 l/min; 7800 l/h; 34.3 US gal/min; 2060.5 US gal/h
8	41103004	1	Bilge pump, SBP45 combi	incl electronic level switch
9	41103005	1	Bilge pump, SBP55 combi	incl electronic level switch
10	41103006	1	Bilge pump, SBP65 combi	incl electronic level switch
11	41103007	1	Bilge pump, SBP75 combi	incl electronic level switch
12	41103010	1	Pump, shower pump	3 inlets and strainer, SBP55
13	41100008	1	Breaker	Float Switch
14	41103011	1	Breaker, electrical	Float Switch 12V
15	41103012	1	Breaker, electrical	Float Switch 24V



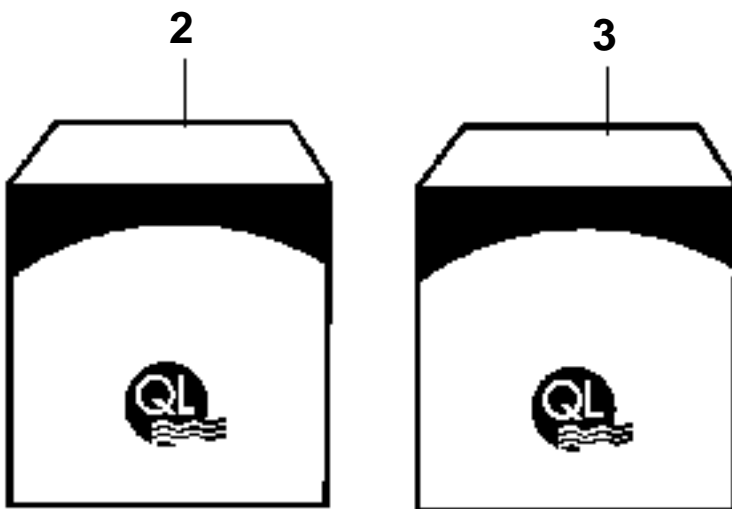
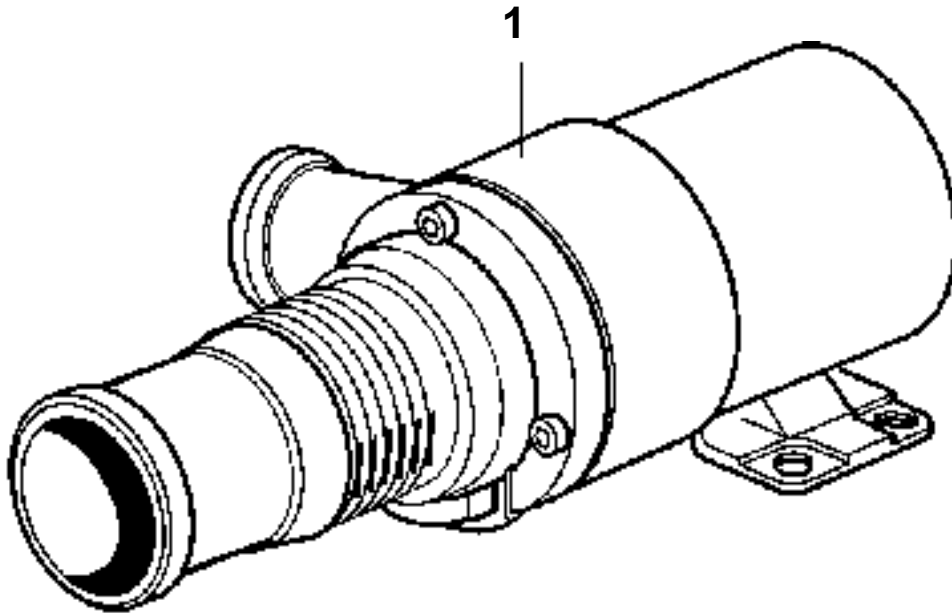


## QL PUMP PROGRAMME





QL PUMP PROGRAMME

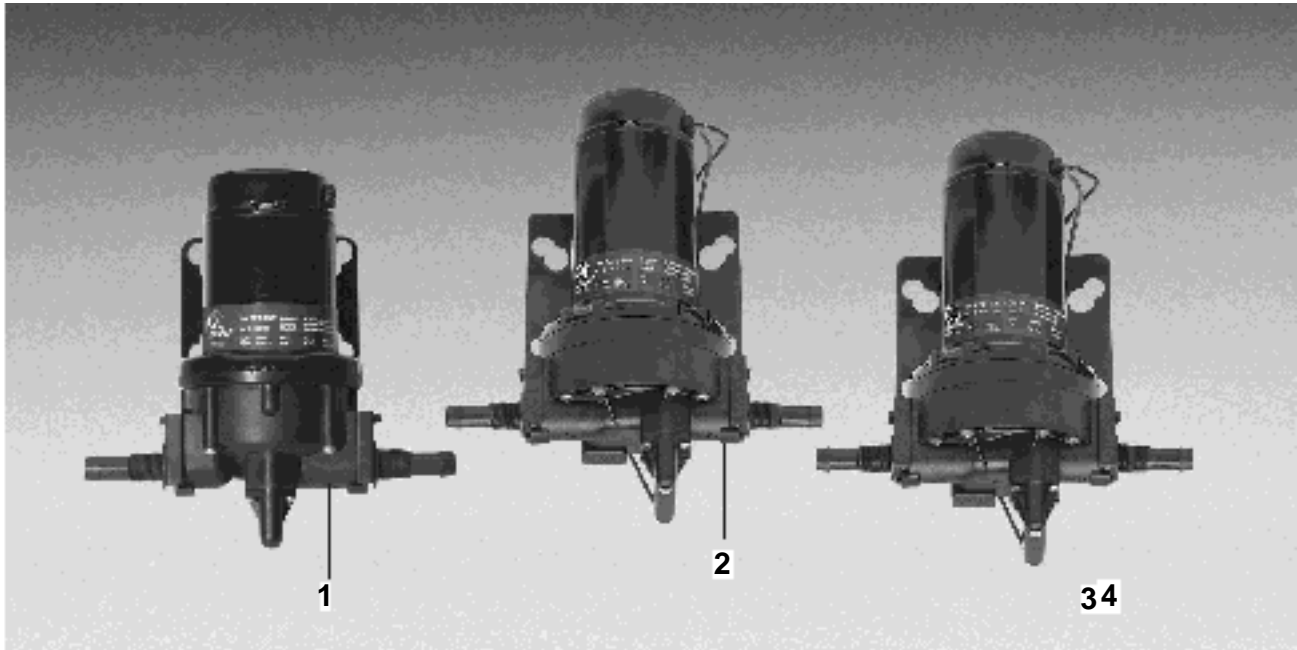


20006





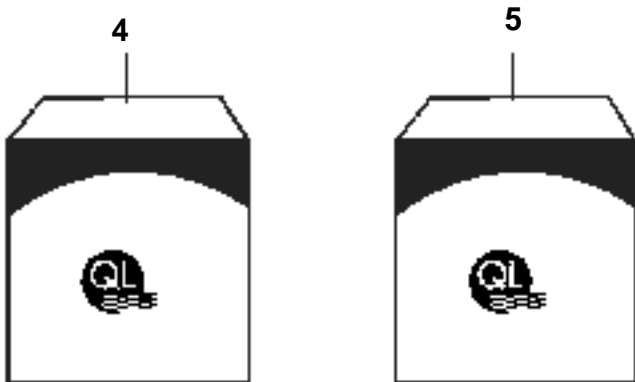
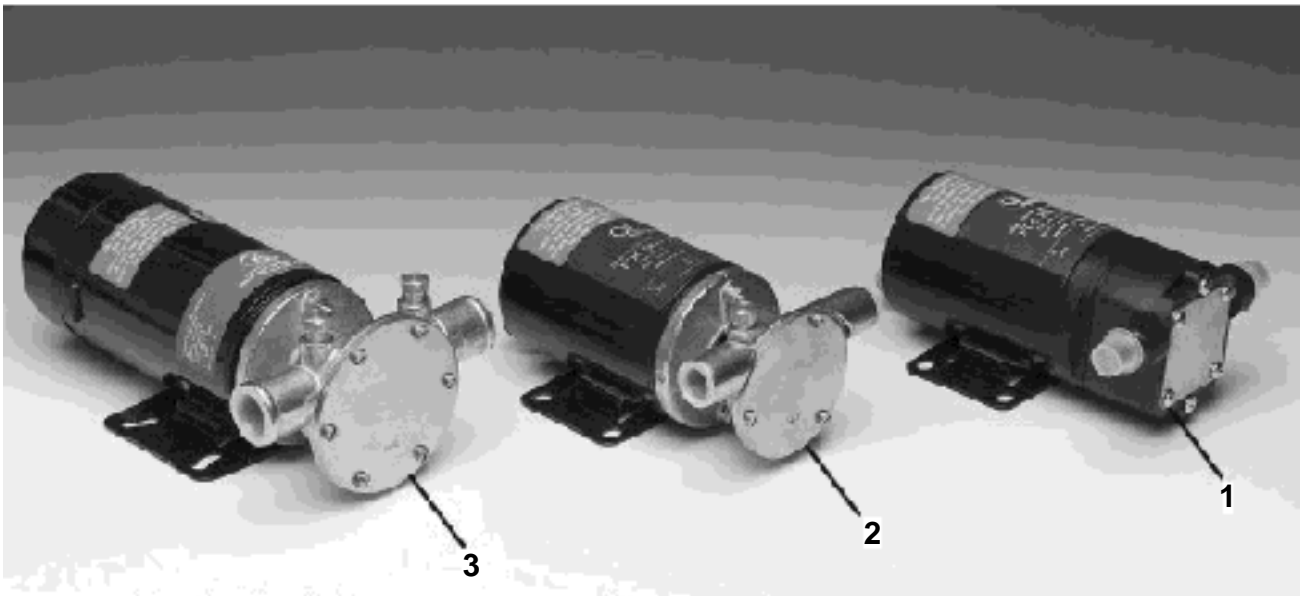
QL PUMP PROGRAMME



12

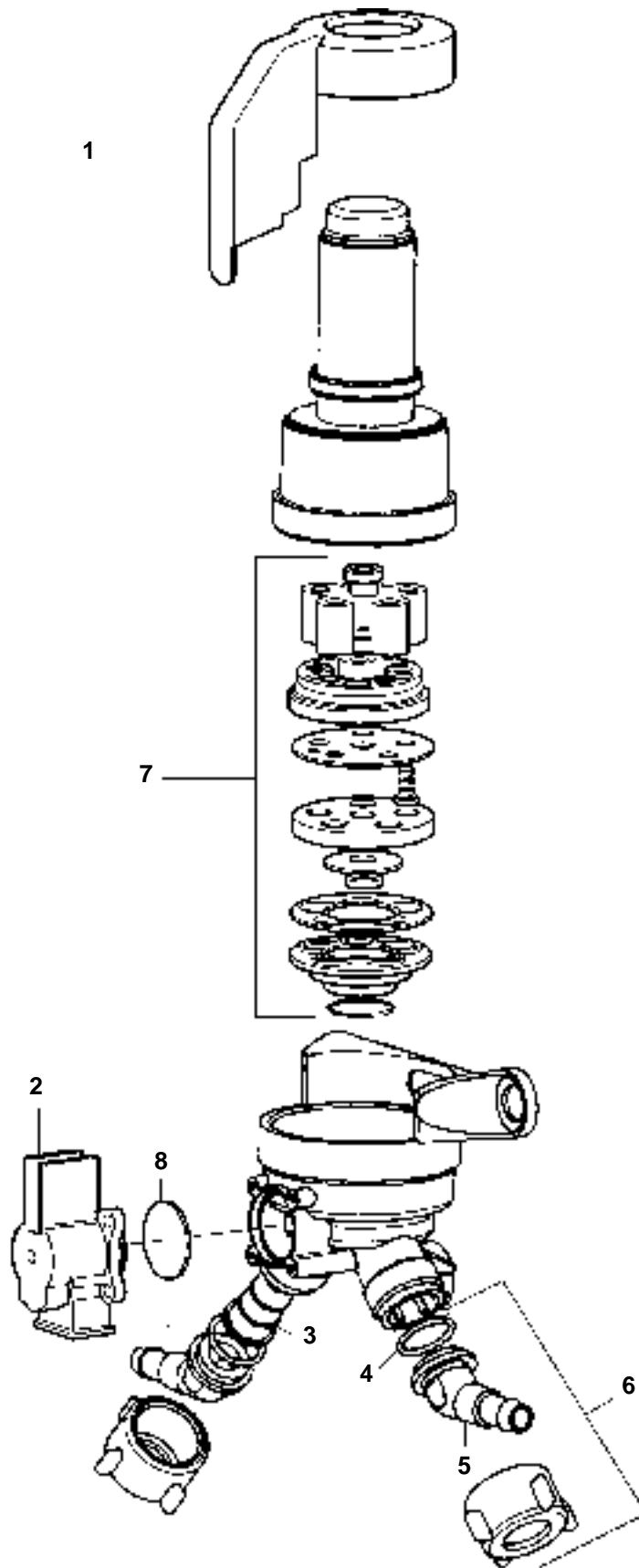


QL PUMP PROGRAMME



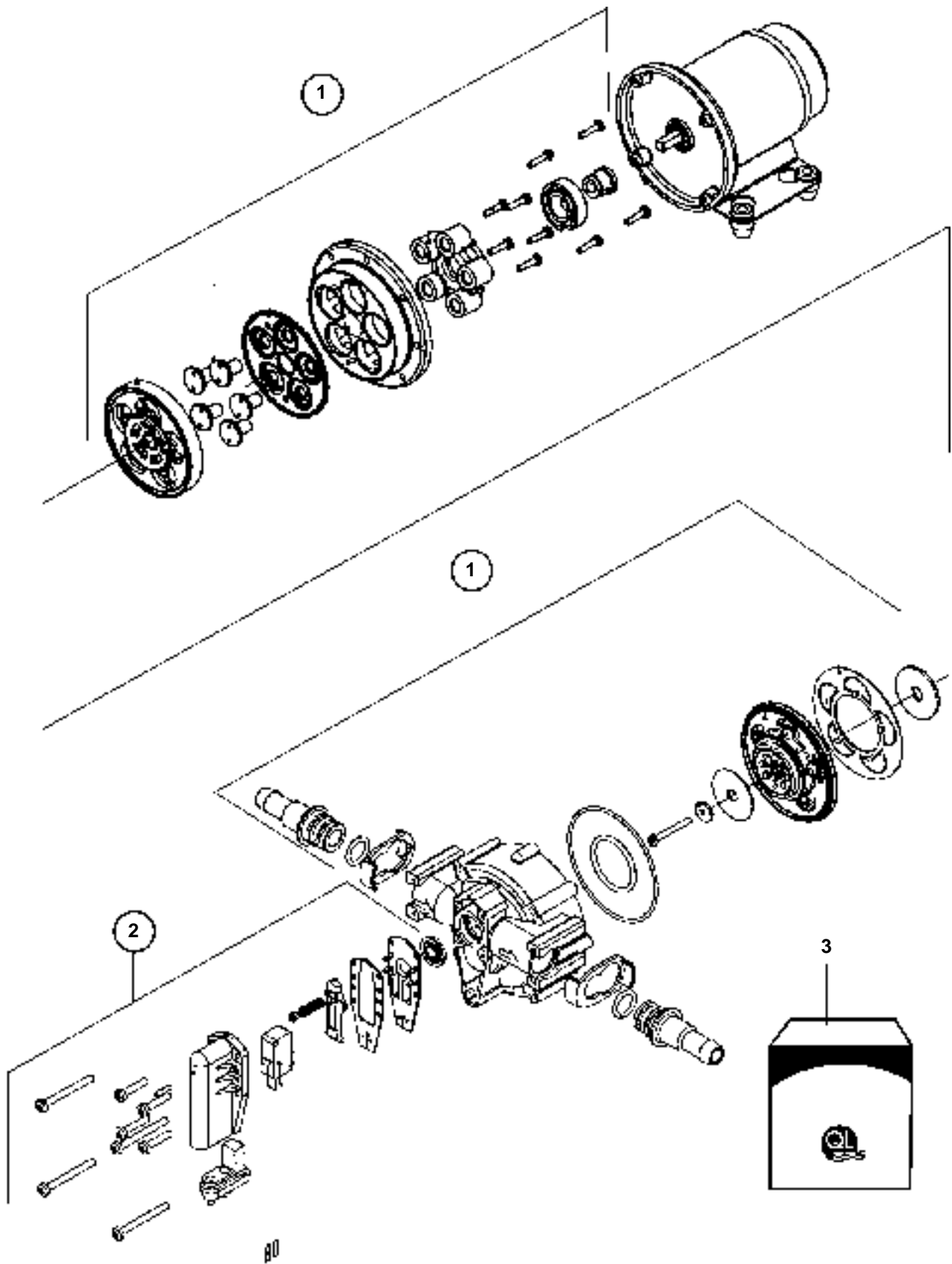
**QL PUMP PROGRAMME**

REF	PART NO.	QTY	DESCRIPTION	NOTES
1	41100024	1	Bilge pump, FDC900 12V	15 l/min; 900 l/h; 4.0 US gal/min; 237.6 US gal/h
2	41103017	1	Bilge pump, FDC2700 12V	45 l/min; 2700 l/h; 11.9 US gal/min; 713.3 US gal/h
3	41103018	1	Bilge pump, FDC2700 24V	45 l/min; 2700 l/h; 11.9 US gal/min; 713.3 US gal/h
4	41100177	1	Impeller kit, FDC850	
	41100178	1	Impeller kit, FDC900	
	41100179	1	Impeller kit, FDC3300	
	41103034	1	Impeller kit, FDC2700	
5	41100174	1	Repair kit, FDC850	
	41100175	1	Repair kit, FDC900	
	41100176	1	Repair kit, FDC3300	



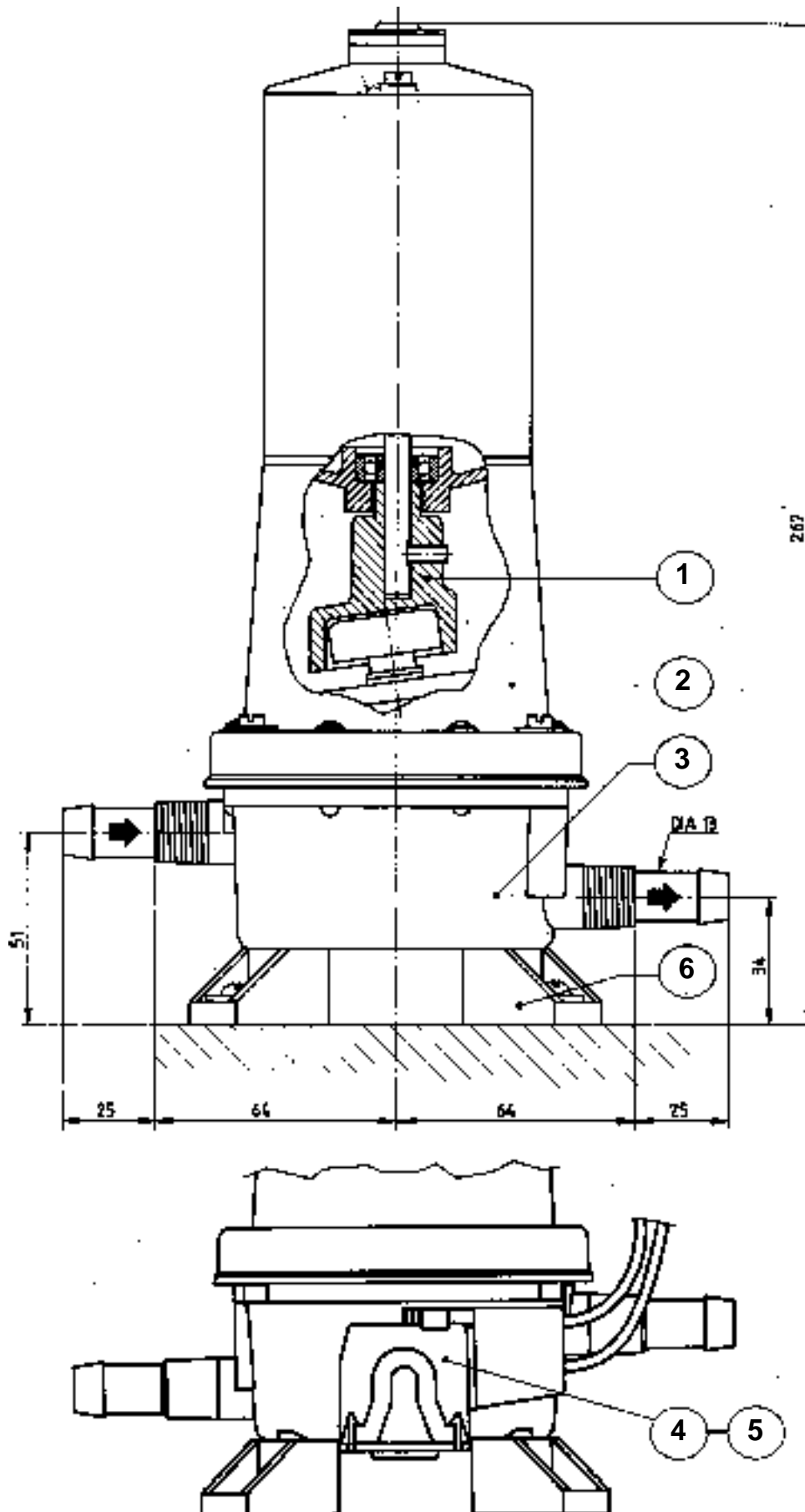


QL PUMP PROGRAMME

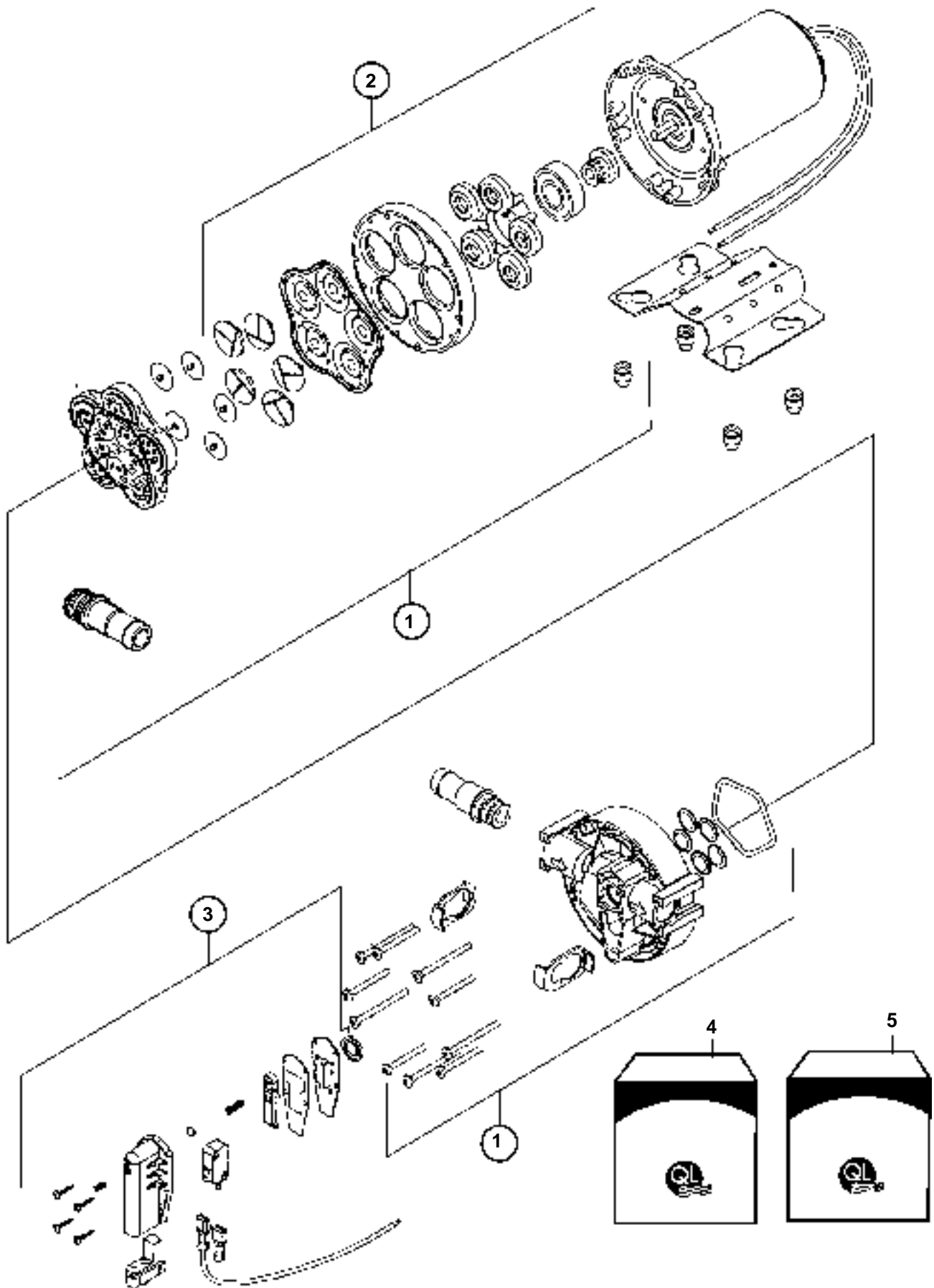






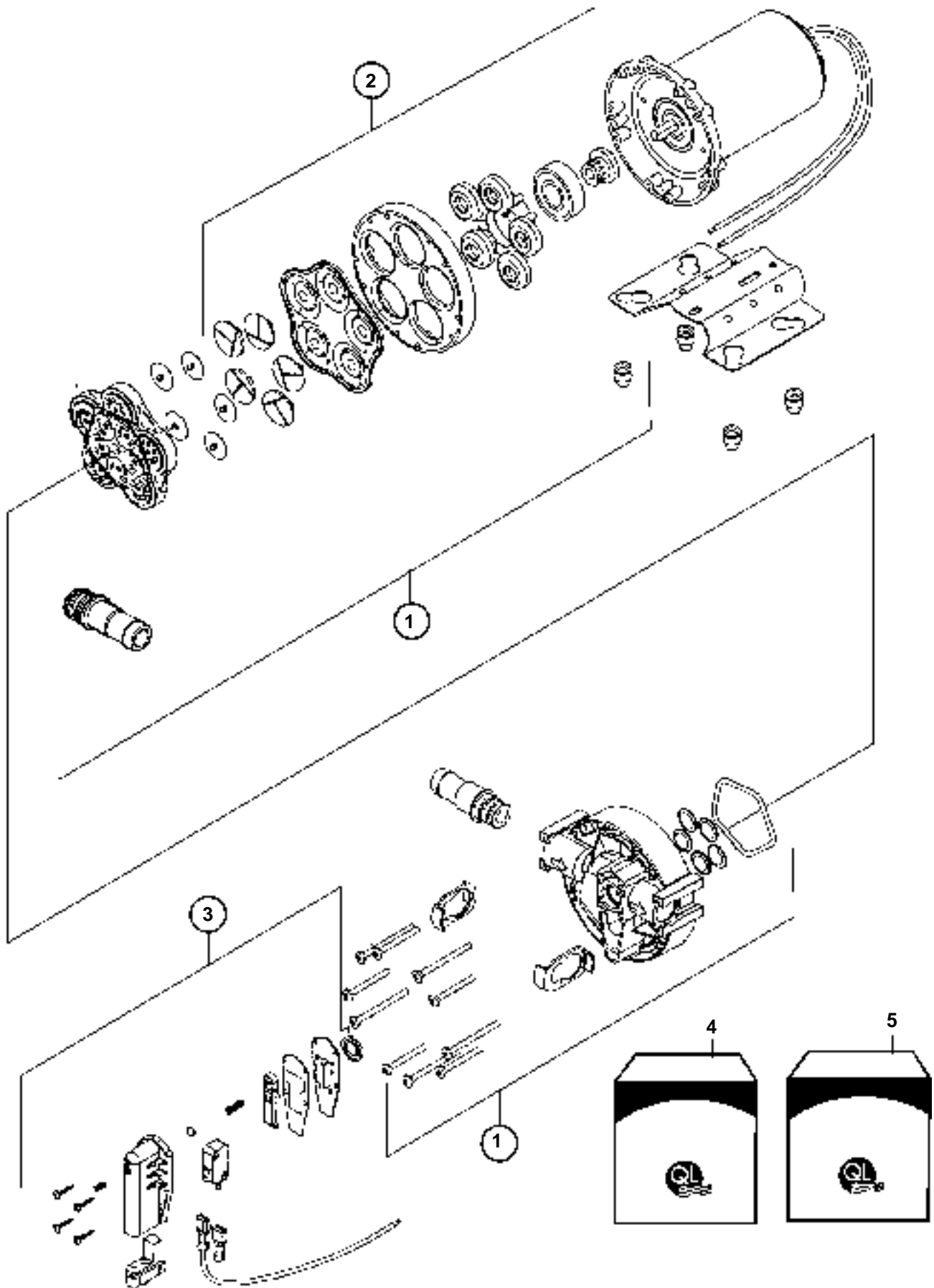






20003

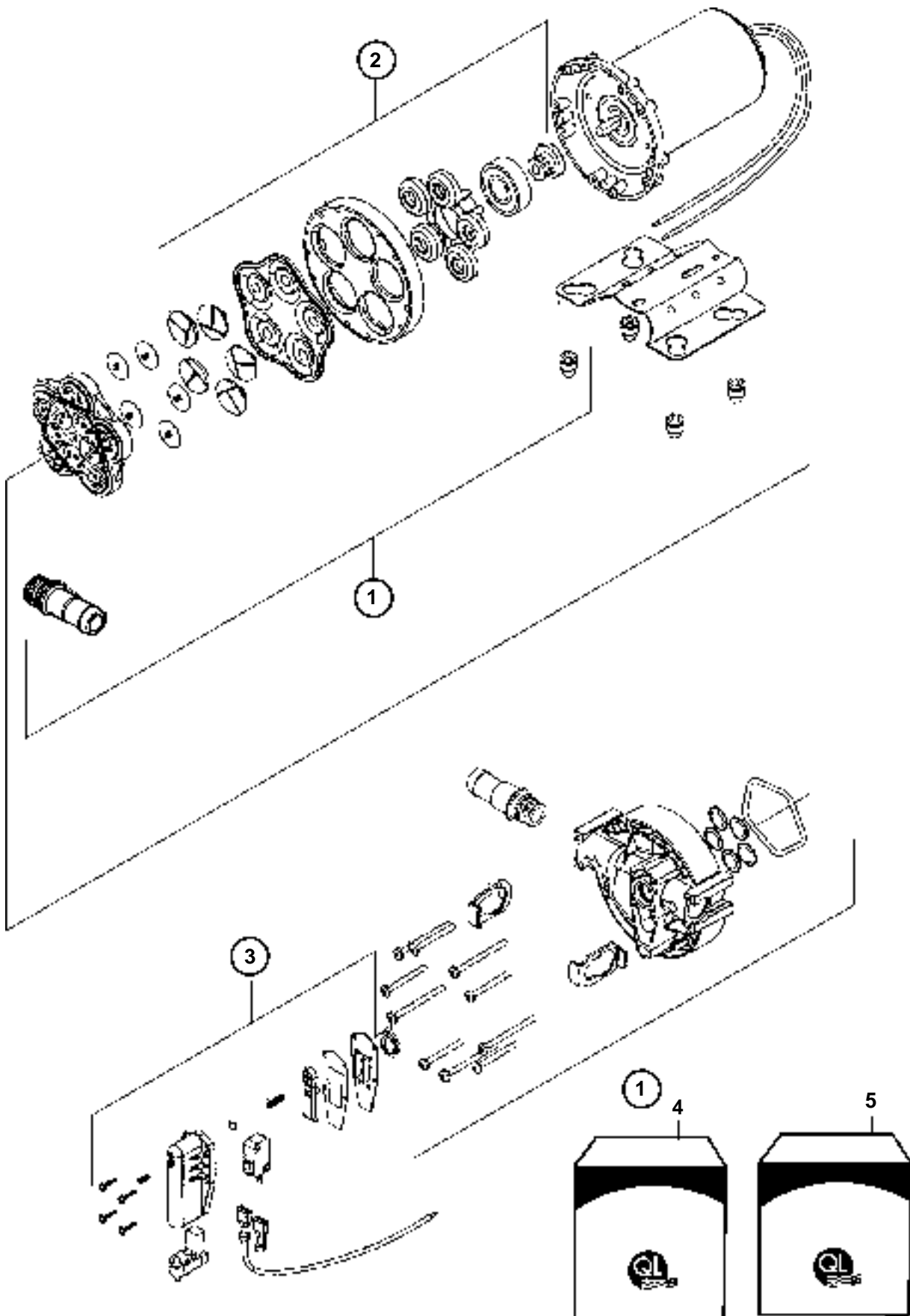




20003



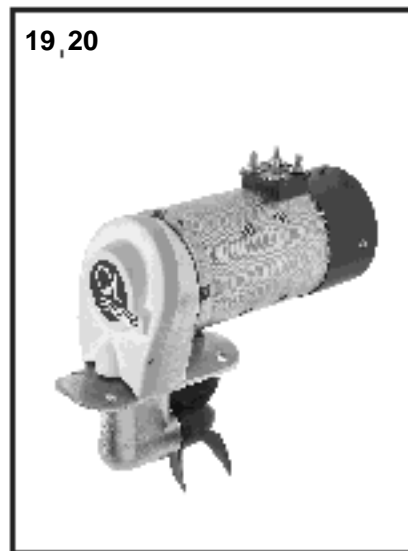
QL PUMP PROGRAMME







QL THRUSTER PROGRAMME

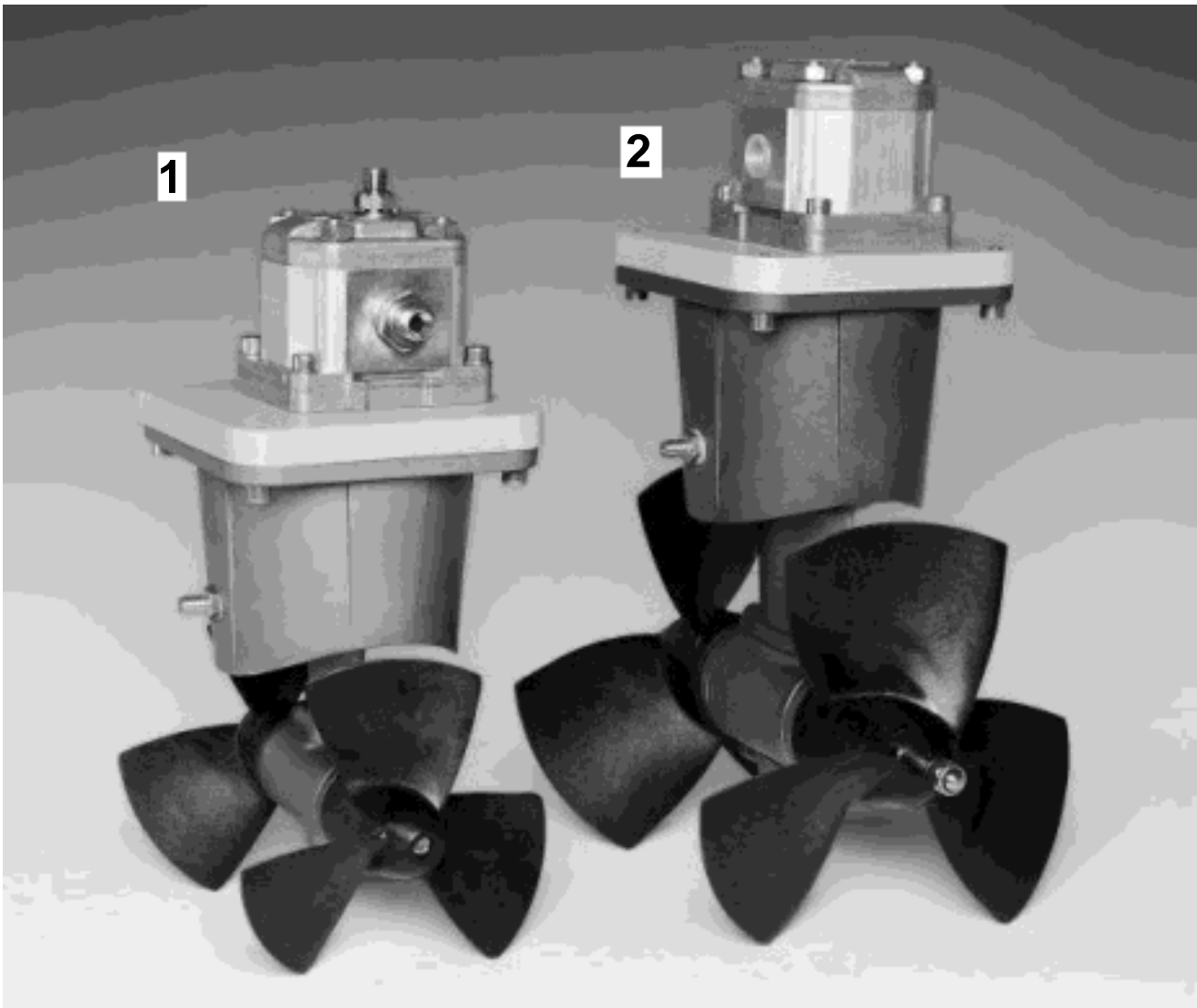


20857

## QL THRUSTER PROGRAMME

REF	PART NO.	DESCRIPTION	SEE SEC.	NOTES
1	41100621	Bow thruster	14	BP300 Volt:12, Motor output:2kW, Tunnel diam:132mm, Thrust: 30kgs/66lbs, Max boat size: 26 feet
2	41100622	Bow thruster	15	BP450 Volt:12, Motor output:3kW, Tunnel diam:132mm, Thrust: 44kgs/97lbs, Max boat size: 31 feet
3	41100623	Bow thruster	15	BP450 Volt:24, Motor output:3kW, Tunnel diam:132mm, Thrust: 44kgs/97lbs, Max boat size: 31 feet
4	41100624	Bow thruster	16	BP600 Volt:12, Motor output:3kW, Tunnel diam:185mm, Thrust: 59kgs/130lbs, Max boat size: 39 feet
5	41100625	Bow thruster	16	BP600 Volt:24, Motor output:3kW, Tunnel diam:185mm, Thrust: 59kgs/130lbs, Max boat size: 39 feet
6	41100626	Bow thruster	17	BP800 Volt:12, Motor output:5kW, Tunnel diam:185mm, Thrust: 80kgs/177lbs, Max boat size: 50 feet
7	41100627	Bow thruster	17	BP800 Volt:24, Motor output:5kW, Tunnel diam:185mm, Thrust: 80kgs/177lbs, Max boat size: 50 feet
8	41100630	Bow thruster	19	BP1200 Volt:24, Motor output:7kW, Tunnel diam:250mm, Thrust: 120kgs/265lbs, Max boat size: 70 feet
9	41100628	Bow thruster	18	BP900 Volt:12, Motor output:5kW, Tunnel diam:185mm, Thrust: 89kgs/196lbs, Max boat size: 55 feet
10	41100629	Bow thruster	18	BP900 Volt:24, Motor output:5kW, Tunnel diam:185mm, Thrust: 89kgs/196lbs, Max boat size: 55 feet
11	41100631	Bow thruster	20	BP1300 Volt:24, Motor output:7kW, Tunnel diam:250mm, Thrust: 137kgs/302lbs, Max boat size: 75 feet
12	41100700	Bow thruster	24	BP1000H
13	41100701	Bow thruster	25	BP1500H
14	41100632	Stern thruster	21	SP600 Volt:12, Motor output:3kW, Tunnel diam:185mm, Thrust: 59kgs/130lbs, Max boat size: 39 feet
15	41100633	Stern thruster	21	SP600 Volt:24, Motor output:3kW, Tunnel diam:185mm, Thrust: 59kgs/130lbs, Max boat size: 39 feet
16	41100634	Stern thruster	22	SP900 Volt:12, Motor output:5kW, Tunnel diam:185mm, Thrust: 89kgs/196lbs, Max boat size: 55 feet
17	41100635	Stern thruster	22	SP900 Volt:24, Motor output:5kW, Tunnel diam:185mm, Thrust: 89kgs/196lbs, Max boat size: 55 feet
18	41100636	Stern thruster	23	SP1300 Volt:24, Motor output:7kW, Tunnel diam:250mm, Thrust: 137kgs/302lbs, Max boat size: 75 feet
19	41100761	Bow thruster	7726	CT600, 12V
20	41100771	Bow thruster	7726	CT600, 24V

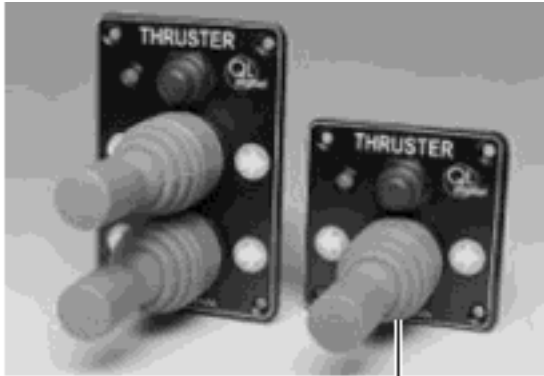
## QL THRUSTER PROGRAMME





QL THRUSTER PROGRAMME

1



5

2



3



6



7



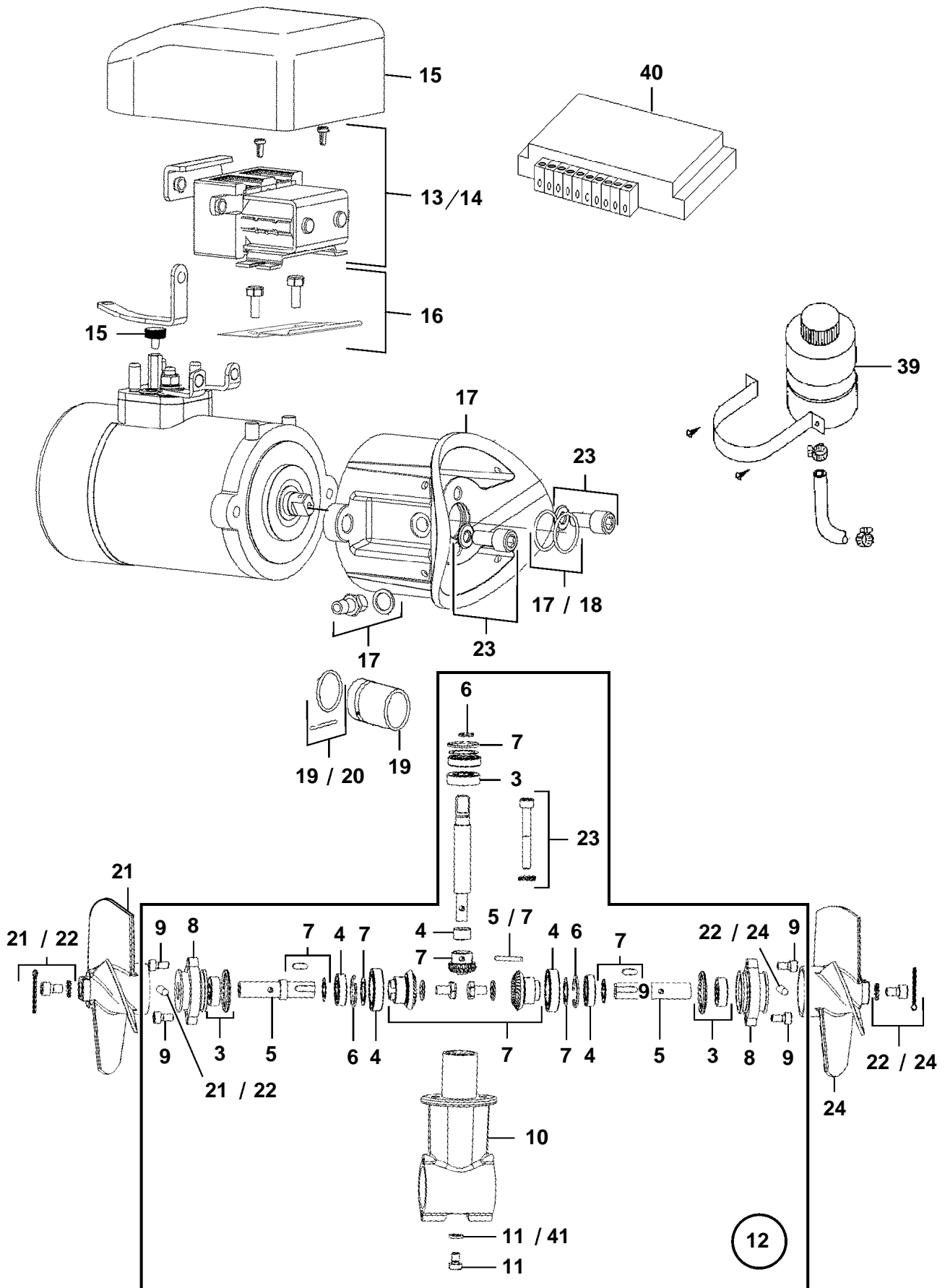
4



20

QL THRUSTER PROGRAMME

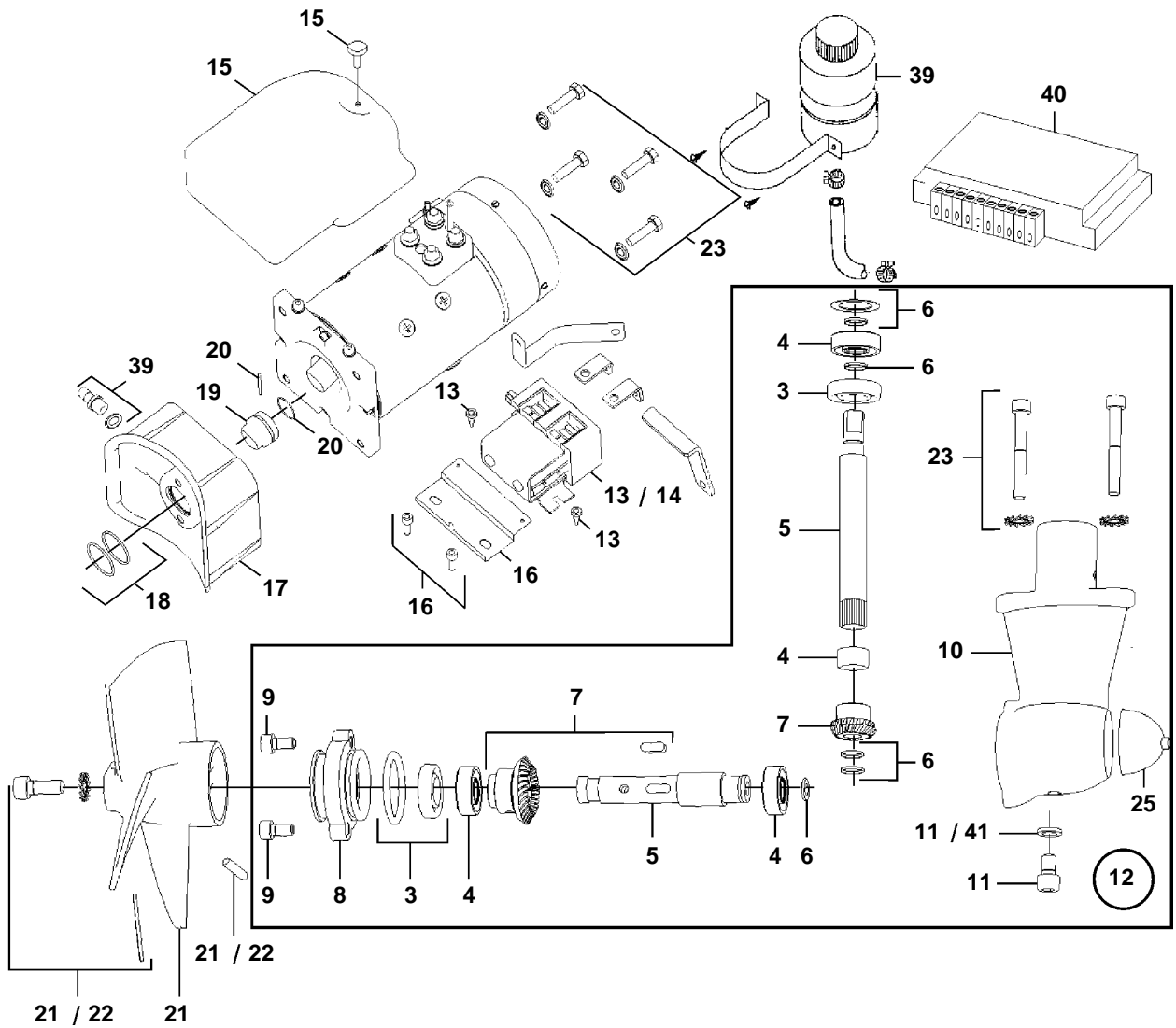
REF	PART NO.	DESCRIPTION	SEE SEC.	NOTES
1	41100743	Control panel, single 12/24V	26	incl 10 m/33 ft cable
	41100744	Control panel, double 12/24V	26	incl 10 m/33 ft cable
2	41100745	Control panel, single 12V	26	incl 10 m/33 ft cable
	41100746	Control panel, single 24V	26	incl 10 m/33 ft cable
	41100747	Control panel, double 12V	26	incl 10 m/33 ft cable
	41100748	Control panel, double 24V	26	incl 10 m/33 ft cable
3	41100765	Control panel, single 12/24V	26	incl 10 m/33 ft cable
	41100766	Adapter		Adapter needed for new panel to fit old cut-out.
4	41100791	Tool kit, 110V		
	41100792	Tool kit, 220V		
5	41100797	Rubber gaiter		
6	41100793	Adapter kit		Hull cutting tool, D=160mm
7	41100434	Milling tool		
		<b>Accessories</b>		
	41100411	Tunnel, accessories		Diam 132mm;L 750mm;Th 5mm
	41100412	Tunnel, accessories		Diam 132mm;L 1000mm;Th 5mm
	41100053	Tunnel, accessories		Diam 185mm;L 750mm;Th 5mm
	41100054	Tunnel, accessories		Diam 185mm;L 1000mm;Th 5mm
	41100055	Tunnel, accessories		Diam 185mm;L 1500mm;Th 5mm
	41100056	Tunnel, accessories		Diam 185mm;L 1750mm;Th 5mm
	41100220	Tunnel, accessories		Diam 250mm;L 1750mm;Th 5mm
	41100600	Fuse, accessories		BP300 ;12V 200A ;Incl holder
	41100601	Fuse, accessories		BP300 ;12V 200A ;Excl holder
	41100180	Fuse, accessories		BP450 BP/SP 600 ;12/24V 300A;Excl holder
	41100052	Fuse, accessories		BP450 BP/SP 600 ;12/24V 300A;Incl holder
	41100603	Fuse, accessories		BP/SP 800-900 ;24V 355A ;Excl holder
	41100604	Fuse, accessories		BP/SP 800-900 ;24V 355A ;Incl holder
	41100402	Fuse, accessories		BP/SP 800-900 ;12V 425A ;Excl holder
	41100403	Fuse, accessories		BP/SP 800-900 ;12V 425A ;Incl holder
	41100402	Fuse, accessories		BP/SP 1200, 1300;24V 425A ;Excl holder
	41100403	Fuse, accessories		BP/SP 1200, 1300;24V 425A ;Incl holder
	41100492	Tunnel		SP600/800, 185mm
	41100534	Tunnel		SP1300, 250mm
	41100763	Tunnel		Diam 160mm;L 1000mm;Th 5mm





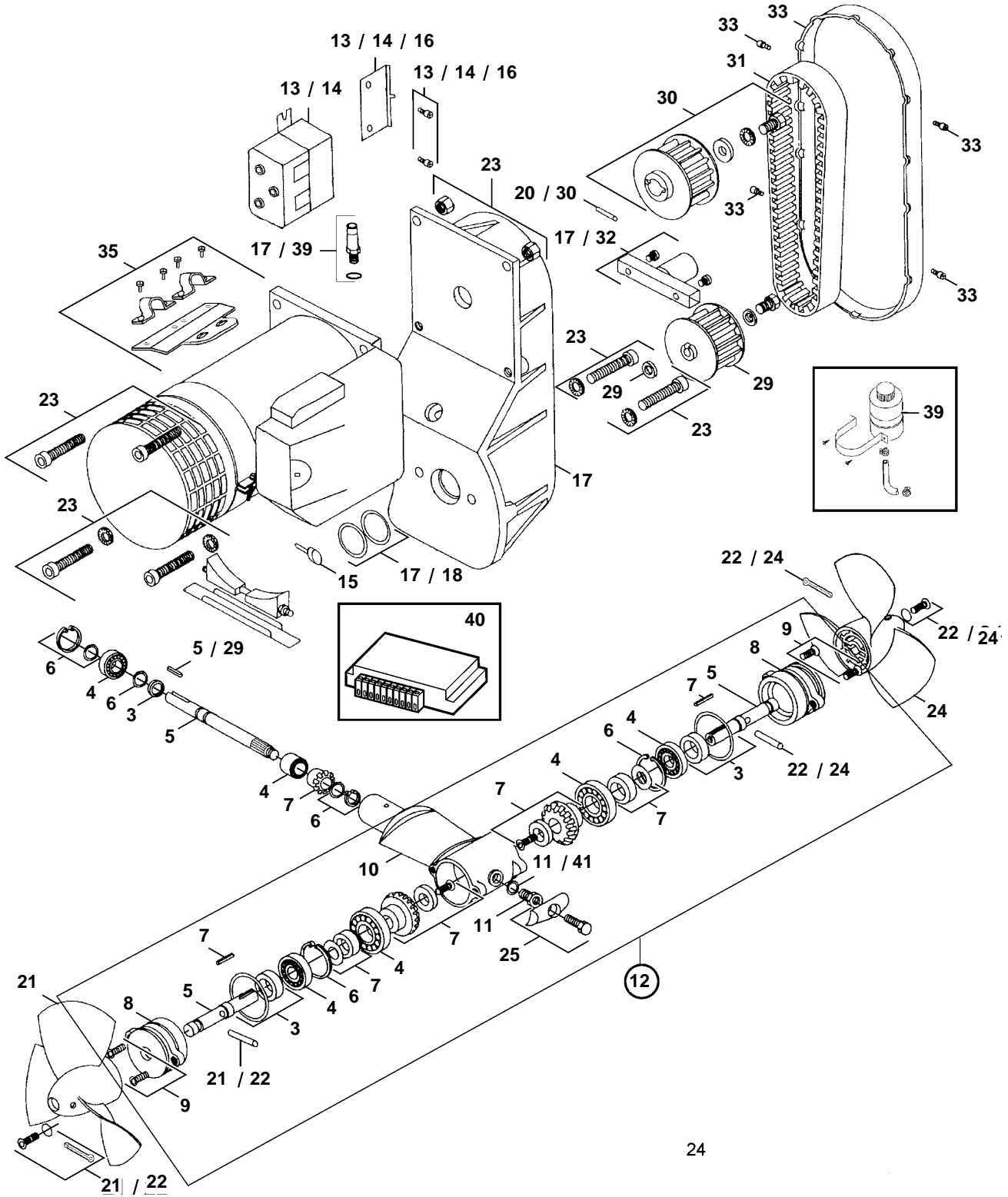
## BP450

REF	PART NO.	DESCRIPTION		NOTES
	41100686	Electrical motor		12V
	41100687	Electrical motor	SO	24V
3	41100679	Sealing kit		
4	41100680	Bearing kit		
5	41100681	Shaft set		
6	41100682	Lock ring kit		
7	41100684	Drive gear set		
8	41100467	Bearing flange		
9	41100665	Screw kit		
10	41100683	Gear housing		
11	41100667	Plug		
12	41100685	Gear housing, complete		
13	41100670	Relay		12V
14	41100710	Relay		24V
15	41100671	Cover		
16	41100688	Bracket	SO	
17	41100674	Pipe retainer	SO	
18	41100428	O-ring		
19	41100675	Companion flange		
20	41100676	Pin, coupling		
21	41100677	Propeller, RH		
22	41100678	Companion flange, spare part kit		
23	41100673	Screw kit		
24	41100689	Propeller, LH		
	41100129	Oil		0.25 l/8.4 Oz
39	41100659	Oil tank		
40	41100658	Circuit board		
41	41100759	Gasket		
	41100610	Carbon brush set		12V
	41100614	Carbon brush set		24V
	41100618	Temperature sensor		



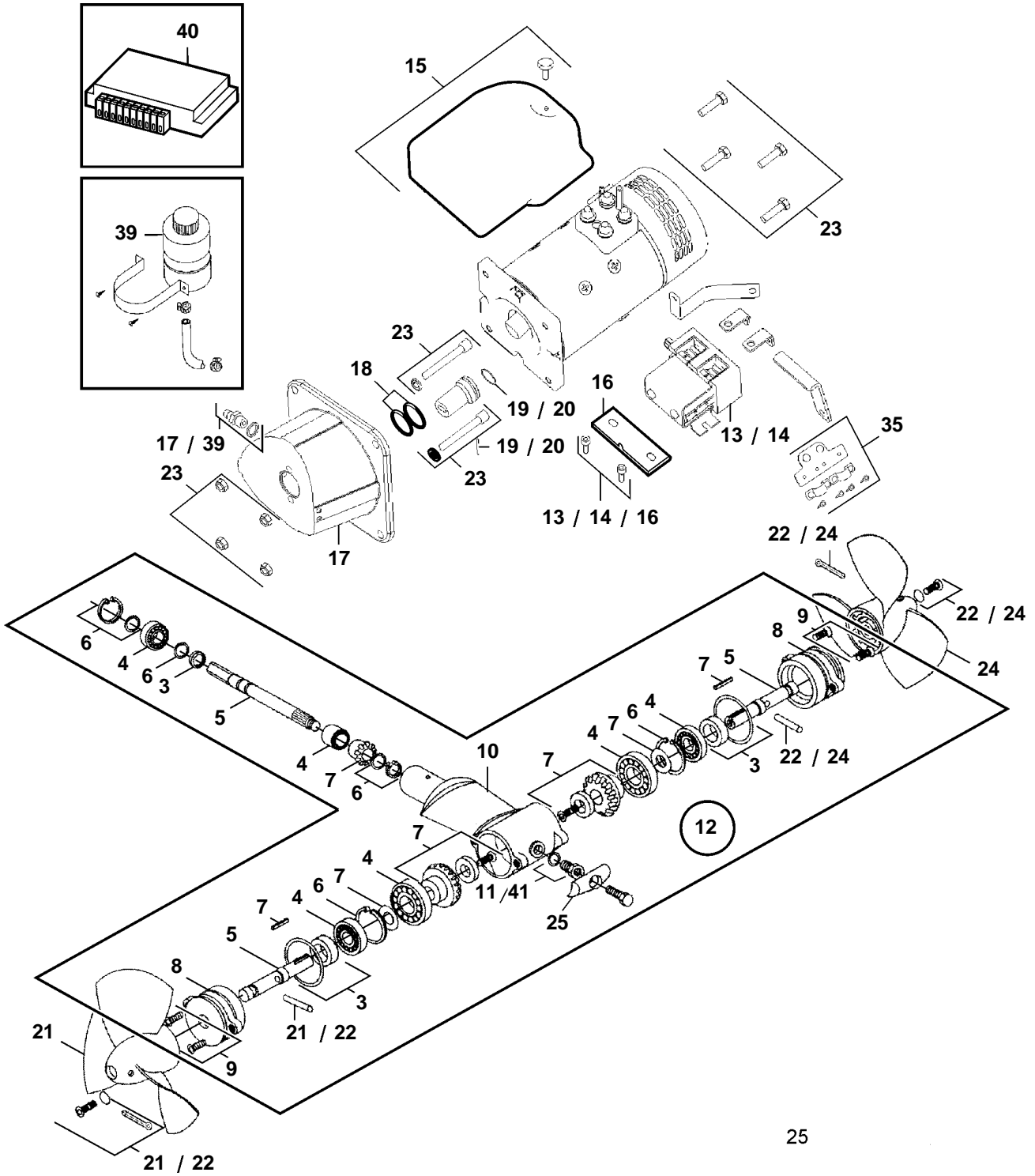
## BP500&amp;600

REF	PART NO.	DESCRIPTION		NOTES
	41100705	Electrical motor		12V
	41100706	Electrical motor	SO	24V
3	41100690	Sealing kit		
4	41100691	Bearing kit		
5	41100692	Shaft set		
6	41100693	Lock ring kit		
7	41100694	Drive gear set		
8	41100695	Flange	SO	
9	41100265	Screw kit		
10	41100696	Gear housing	SO	
11	41100356	Plug		
12	41100697	Gear housing kit, complete		
13	41100670	Relay		12V
14	41100710	Relay		24V
15	41100671	Cover		
16	41100688	Bracket	SO	
17	41100711	Bracket	SO	
18	41100105	O-ring kit		
19	41100708	Coupling kit		
20	41100709	Shear pin, coupling		
21	41100698	Propeller		
22	41100704	Spare parts kit		
23	41100712	Screw kit		
25	41100098	Zinc anod		
	41100129	Oil		0.25 l/8.4 Oz
39	41100659	Oil tank		
40	41100658	Circuit board		
41	41100760	Gasket		
	41100610	Carbon brush set		12V
	41100615	Carbon brush set		24V
	41100618	Temperature sensor		



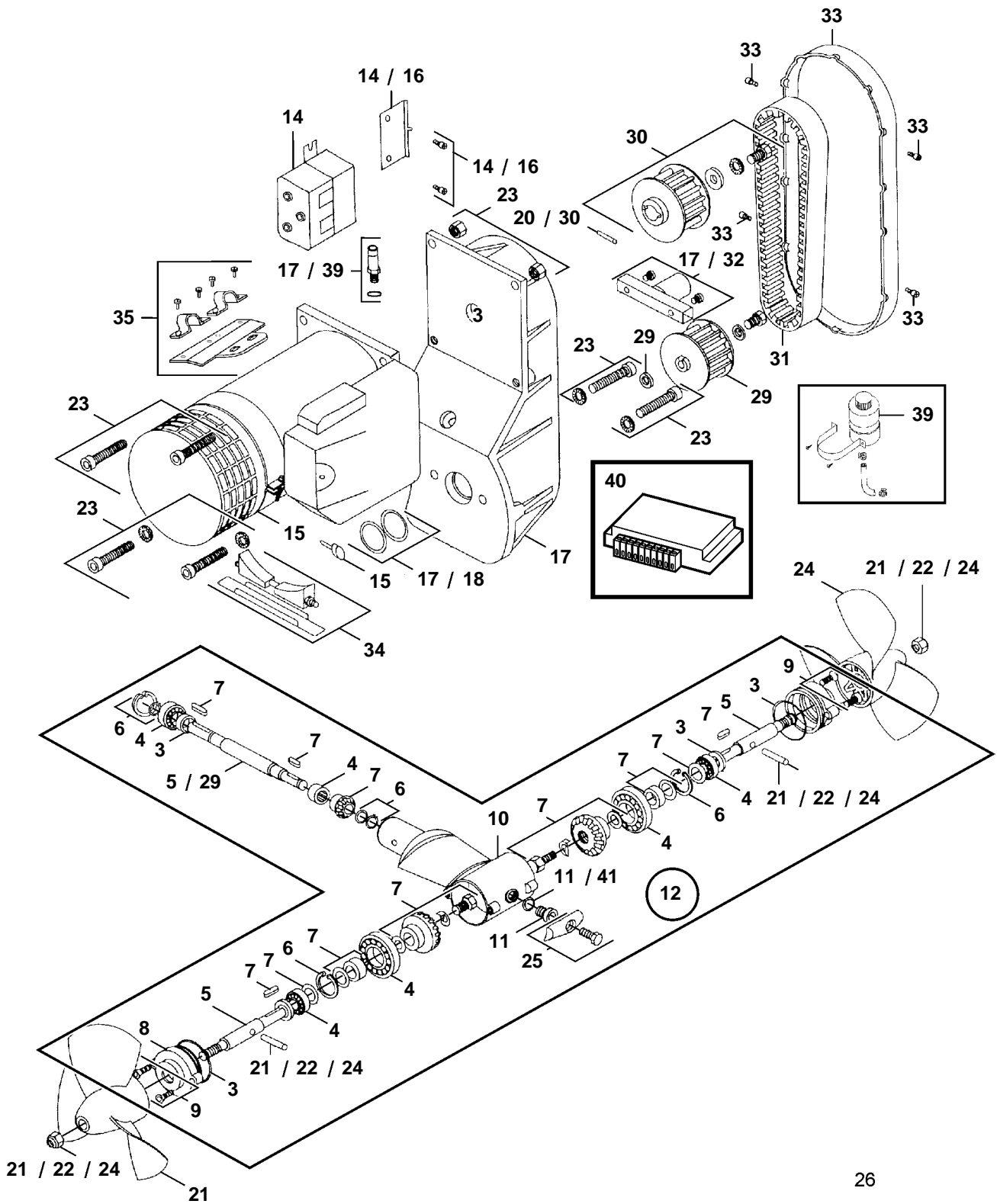
## BP800

REF	PART NO.	DESCRIPTION	NOTES
	41100647	Electrical motor	12V
	41100648	Electrical motor	24V
3	41100637	Sealing kit	
4	41100638	Bearing kit	
5	41100640	Shaft set	
6	41100641	Lock ring kit	
7	41100642	Drive gear set	
8	41100478	Bearing flange	
9	41100265	Screw kit	
10	41100644	Gear housing	
11	41100274	Plug kit	
12	41100645	Gear housing, complete	
13	41100649	Relay	12V
14	41100723	Relay	24V
15	41100724	Cover	
16	41100725	Relay retainer	SO
17	41100651	Bracket	SO
18	41100105	O-ring kit	
20	41100289	Companion flange, coupling	
21	41100698	Propeller, RH	
22	41100704	Spare parts kit	
23	41100650	Screw kit	
24	41100699	Propeller, LH	
25	41100276	Zinc anod	
29	41100255	Pulley	
30	41100256	Pulley	
31	41100257	Tooth belt	
32	41100290	Belt tensioner	
33	41100652	Cover	SO
	41100250	Engine bracket	
35	41100729	Cable attachment	
	41100129	Oil	0.25 l/8.4 Oz
39	41100659	Oil tank	
40	41100658	Circuit board	
41	41100275	Seal	
	41100616	Carbon brush set	12V
	41100609	Carbon brush set	24V
	41100612	Fan shroud	



## BP900

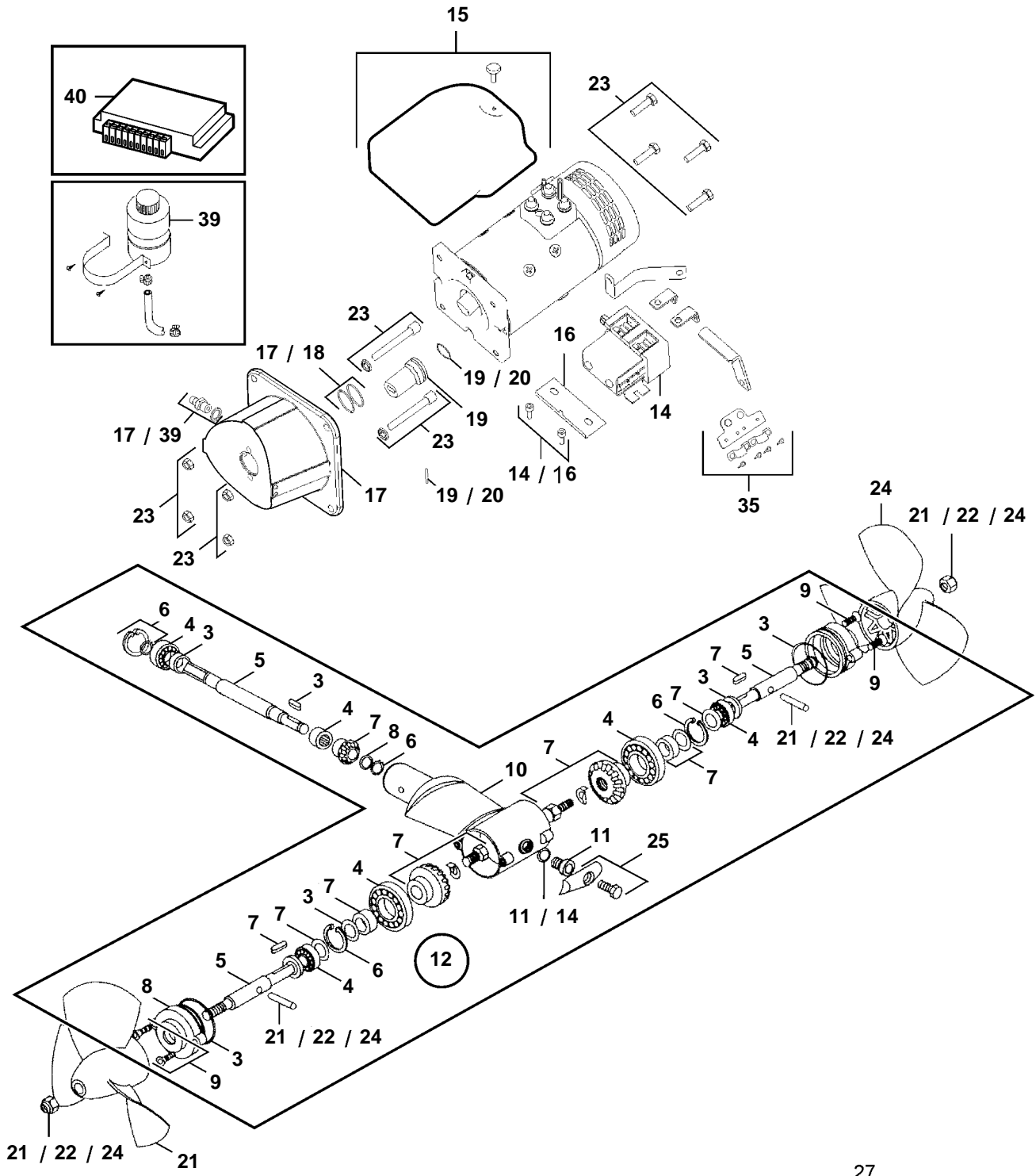
REF	PART NO.	DESCRIPTION	NOTES
	41100647	Electrical motor	12V
	41100648	Electrical motor	24V
3	41100637	Sealing kit	
4	41100638	Bearing kit	
5	41100639	Shaft set	
6	41100641	Lock ring kit	
7	41100643	Drive gear set	
8	41100478	Bearing flange	
9	41100265	Screw kit	
10	41100644	Gear housing	
11	41100274	Plug kit	
12	41100646	Gear housing, complete	
13	41100649	Relay	12V
14	41100723	Relay	24V
15	41100724	Cover	
16	41100725	Relay retainer	SO
17	41100654	Bracket	SO
18	41100105	O-ring kit	
19	41100655	Companion flange	
20	41100737	Spare parts kit, coupling	
21	41100698	Propeller, RH	
22	41100704	Spare parts kit	
23	41100653	Screw kit	
24	41100699	Propeller, LH	
25	41100276	Zinc anod	
35	41100729	Cable attachment	
	41100129	Oil	0.25 l/8.4 Oz
39	41100659	Oil tank	
40	41100658	Circuit board	
41	41100275	Seal	
	41100616	Carbon brush set	12V
	41100609	Carbon brush set	24V
	41100612	Fan shroud	





## BP1200

REF	PART NO.	DESCRIPTION	NOTES
	41100742	Electrical motor	24V
3	41100716	Sealing kit	
4	41100717	Bearing kit	
5	41100718	Shaft set	
6	41100720	Lock ring kit	
7	41100719	Drive gear set	
8	41100722	Flange	
9	41100721	Screw kit	
10	41100308	Gear housing	
11	41100274	Plug kit	
12	41100293	Gear housing, complete	
14	41100723	Relay	24V
15	41100724	Cover	
16	41100725	Relay retainer	SO
17	41100727	Bracket	SO
18	41100285	O-ring kit	
20	41100289	Companion flange, coupling	
21	41100730	Propeller, RH	
22	41100732	Spare parts kit, propeller	
23	41100726	Screw kit	
24	41100731	Propeller, LH	
25	41100276	Zinc anod	
29	41100287	Belt pulley kit	
30	41100728	Belt pulley kit	
31	41100291	Tooth belt	
32	41100290	Belt tensioner	
33	41100749	Belt protector	SO
34	41100250	Engine bracket	
35	41100729	Cable attachment	
	41100129	Oil	0.25 l/8.4 Oz
39	41100659	Oil tank	
40	41100658	Circuit board	
41	41100275	Seal	
	41100609	Carbon brush set	24V
	41100612	Fan shroud	

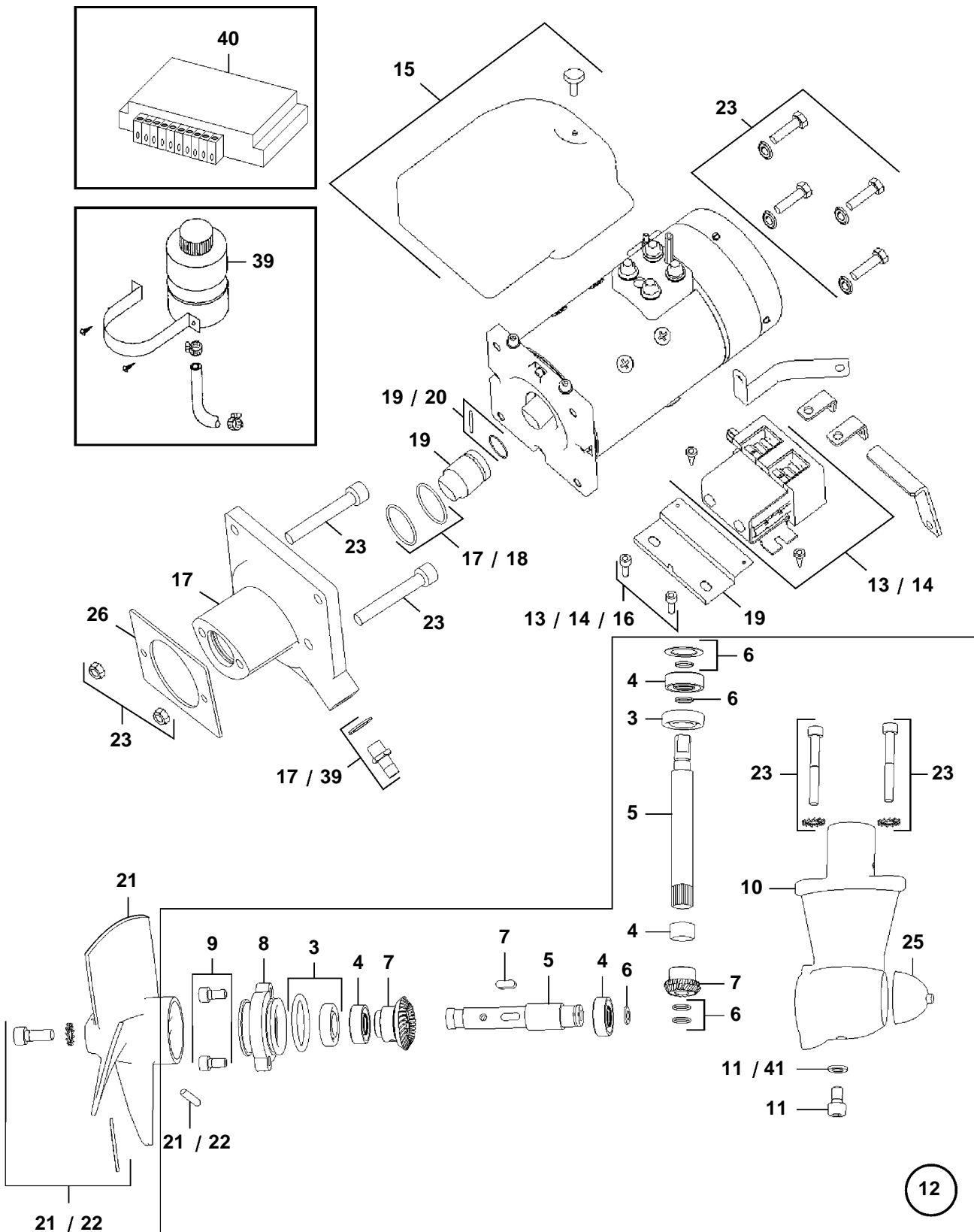


21 / 22 / 24

27

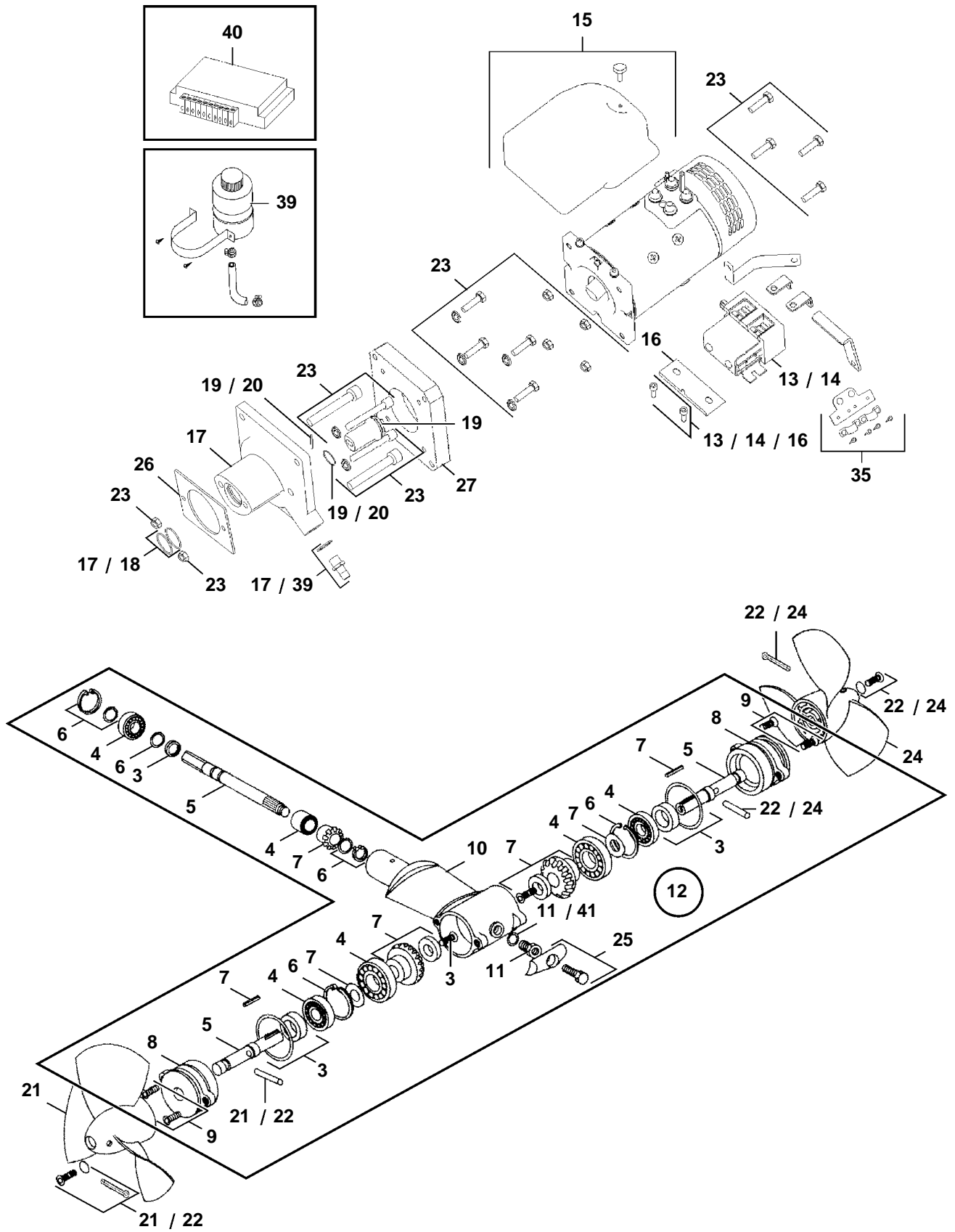
## BP1300

REF	PART NO.	DESCRIPTION	NOTES
	41100742	Electrical motor	24V
3	41100716	Sealing kit	
4	41100717	Bearing kit	
5	41100733	Shaft set	
6	41100720	Lock ring kit	
7	41100734	Drive gear set	
8	41100722	Flange	
9	41100721	Screw kit	
10	41100308	Gear housing	
11	41100274	Plug kit	
12	41100735	Gear housing, complete	
14	41100723	Relay	24V
15	41100724	Cover	
16	41100725	Relay retainer	SO
17	41100741	Bracket	SO
18	41100285	O-ring kit	
19	41100736	Coupling kit	
20	41100737	Spare parts kit, coupling	
21	41100730	Propeller, RH	
22	41100732	Spare parts kit, propeller	
23	41100739	Screw kit	
24	41100731	Propeller, LH	
25	41100276	Zinc anod	
35	41100729	Cable attachment	
	41100129	Oil	0.25 l/8.4 Oz
39	41100659	Oil tank	
40	41100658	Circuit board	
	41100275	Seal	
	41100609	Carbon brush set	24V
	41100612	Fan shroud	



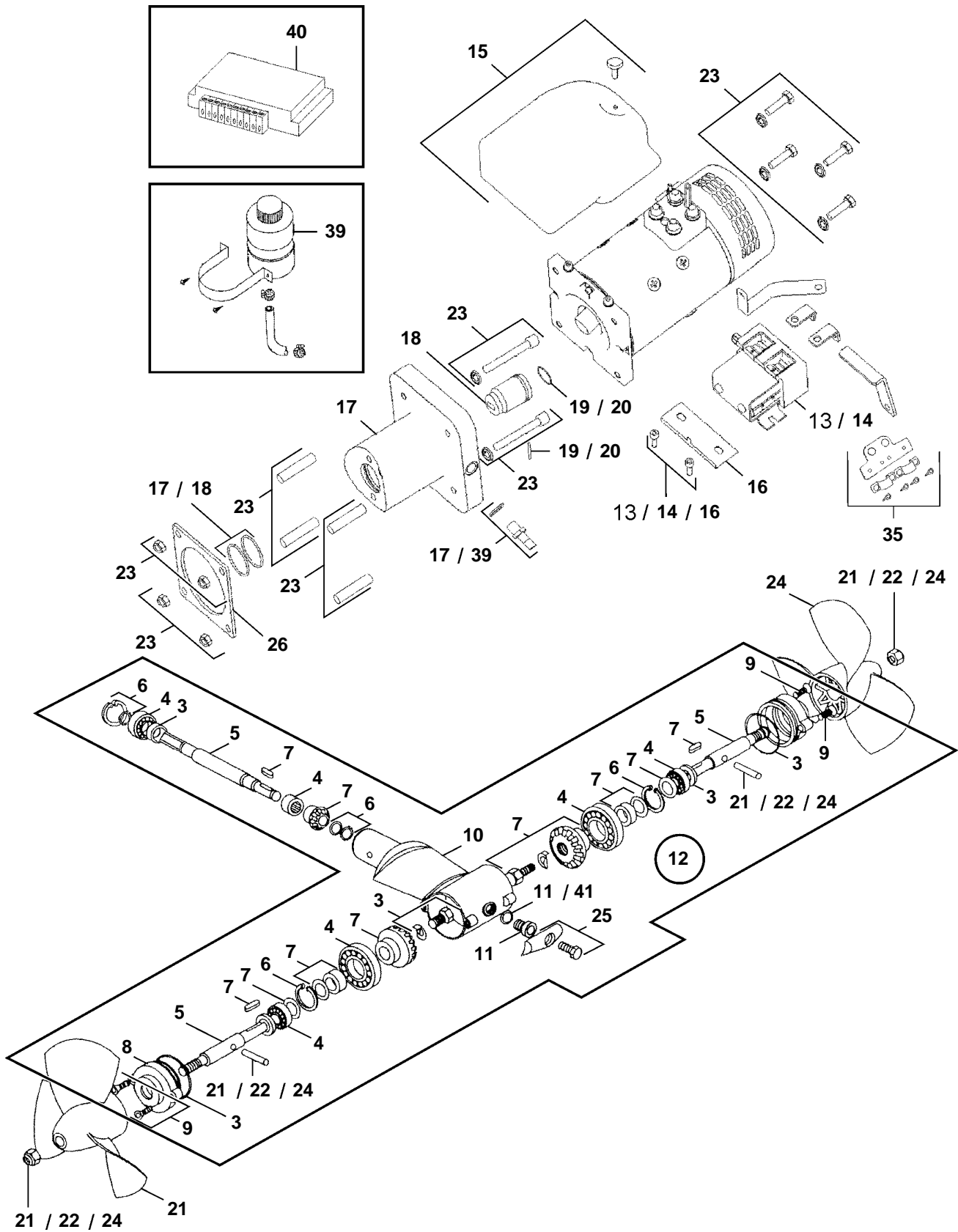
## SP600

REF	PART NO.	DESCRIPTION		NOTES
	41100705	Electrical motor		12V
	41100706	Electrical motor	SO	24V
3	41100690	Sealing kit		
4	41100691	Bearing kit		
5	41100692	Shaft set		
6	41100693	Lock ring kit		
7	41100694	Drive gear set		
8	41100695	Flange	SO	
9	41100265	Screw kit		
10	41100696	Gear housing	SO	
11	41100356	Plug		
12	41100697	Gear housing kit, complete		
13	41100670	Relay		12V
14	41100710	Relay		24V
15	41100671	Cover		
16	41100688	Bracket	SO	
17	41100714	Bracket	SO	
18	41100105	O-ring kit		
19	41100707	Coupling kit		
20	41100709	Shear pin, coupling		
21	41100698	Propeller		
22	41100704	Spare parts kit		
23	41100713	Screw kit		
25	41100098	Zinc anod		
26	41100494	Support plate		
	41100492	Tunnel		
	41100129	Oil		0.25 l/8.4 Oz
39	41100659	Oil tank		
40	41100658	Circuit board		
41	41100760	Gasket		
	41100610	Carbon brush set		12V
	41100615	Carbon brush set		24V
	41100618	Temperature sensor		



## SP900

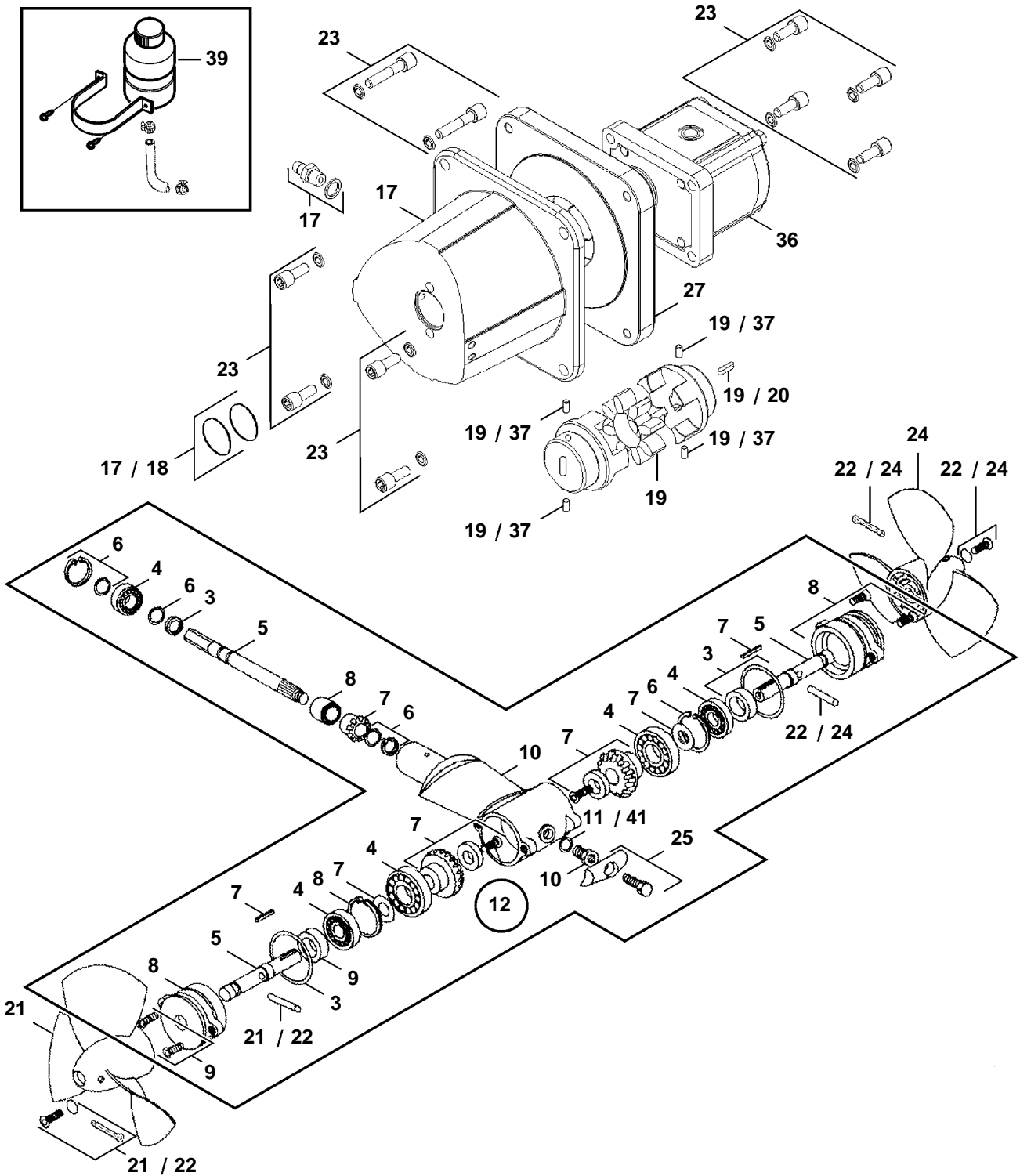
REF	PART NO.	DESCRIPTION	NOTES
	41100647	Electrical motor	12V
	41100648	Electrical motor	24V
3	41100637	Sealing kit	
4	41100638	Bearing kit	
5	41100639	Shaft set	
6	41100641	Lock ring kit	
7	41100643	Drive gear set	
8	41100478	Bearing flange	
9	41100265	Screw kit	
10	41100644	Gear housing	
11	41100274	Plug kit	
12	41100646	Gear housing, complete	
13	41100649	Relay	12V
14	41100723	Relay	24V
15	41100724	Cover	
16	41100725	Relay retainer	SO
17	41100714	Bracket	SO
18	41100105	O-ring kit	
19	41100655	Companion flange	
20	41100737	Spare parts kit, coupling	
21	41100698	Propeller, RH	
22	41100704	Spare parts kit	
23	41100657	Screw kit	
24	41100699	Propeller, LH	
25	41100276	Zinc anod	
26	41100494	Support plate	
27	41100490	Spacer flange	
	41100492	Tunnel	
35	41100729	Cable attachment	
	41100129	Oil	0.25 l/8.4 Oz
39	41100659	Oil tank	
40	41100658	Circuit board	
41	41100275	Seal	
	41100616	Carbon brush set	12V
	41100609	Carbon brush set	24V
	41100612	Fan shroud	





SP1300

REF	PART NO.	DESCRIPTION	NOTES
	41100656	Electrical motor	24V
3	41100716	Sealing kit	
4	41100717	Bearing kit	
5	41100733	Shaft set	
6	41100720	Lock ring kit	
7	41100734	Drive gear set	
8	41100722	Flange	
9	41100721	Screw kit	
10	41100308	Gear housing	
11	41100274	Plug kit	
12	41100735	Gear housing, complete	
14	41100723	Relay	24V
15	41100724	Cover	
16	41100725	Relay retainer	SO
17	41100740	Bracket	SO
18	41100285	O-ring kit	
19	41100736	Coupling kit	
20	41100737	Spare parts kit, coupling	
21	41100730	Propeller, RH	
22	41100732	Spare parts kit, propeller	
23	41100738	Screw kit	
24	41100731	Propeller, LH	
25	41100276	Zinc anod	
26	41100537	Support plate	
	41100534	Tunnel	
35	41100729	Cable attachment	
	41100129	Oil	0.25 l/8.4 Oz
39	41100659	Oil tank	
40	41100658	Circuit board	
41	41100275	Seal	
	41100609	Carbon brush set	24V
	41100612	Fan shroud	



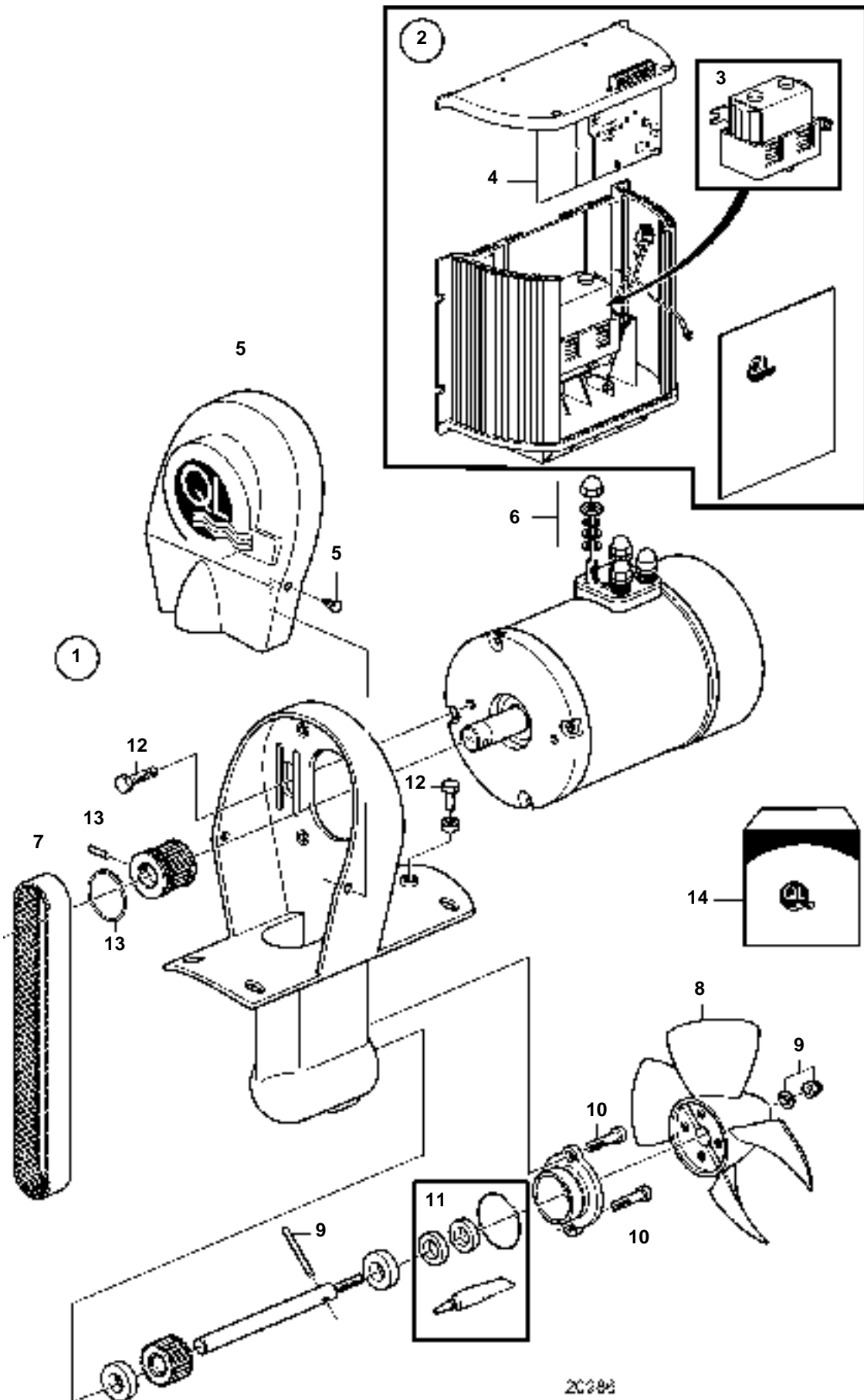
## BP1000H

REF	PART NO.	DESCRIPTION		NOTES
3	41100637	Sealing kit		
4	41100638	Bearing kit		
5	41100639	Shaft set		
6	41100641	Lock ring kit		
7	41100643	Drive gear set		
8	41100478	Bearing flange		
9	41100265	Screw kit		
10	41100644	Gear housing		
11	41100274	Plug kit		
12	41100646	Gear housing		
17	41100654	Bracket	SO	
18	41100105	O-ring kit		
19	41100751	Coupling kit		
20	41100750	Drive gear set, coupling		
21	41100698	Propeller		Right Hand
22	41100704	Spare parts kit		
23	41100753	Screw kit		
24	41100699	Propeller		Left Hand
25	41100276	Zinc anod		
27	41100755	Spacer flange		
36	41100756	Hydraulic motor		
37	41100758	Screw kit		
	41100129	Oil		0.25 l/8.4 Oz
39	41100659	Oil tank		
41	41100275	Seal		



## BP1500H

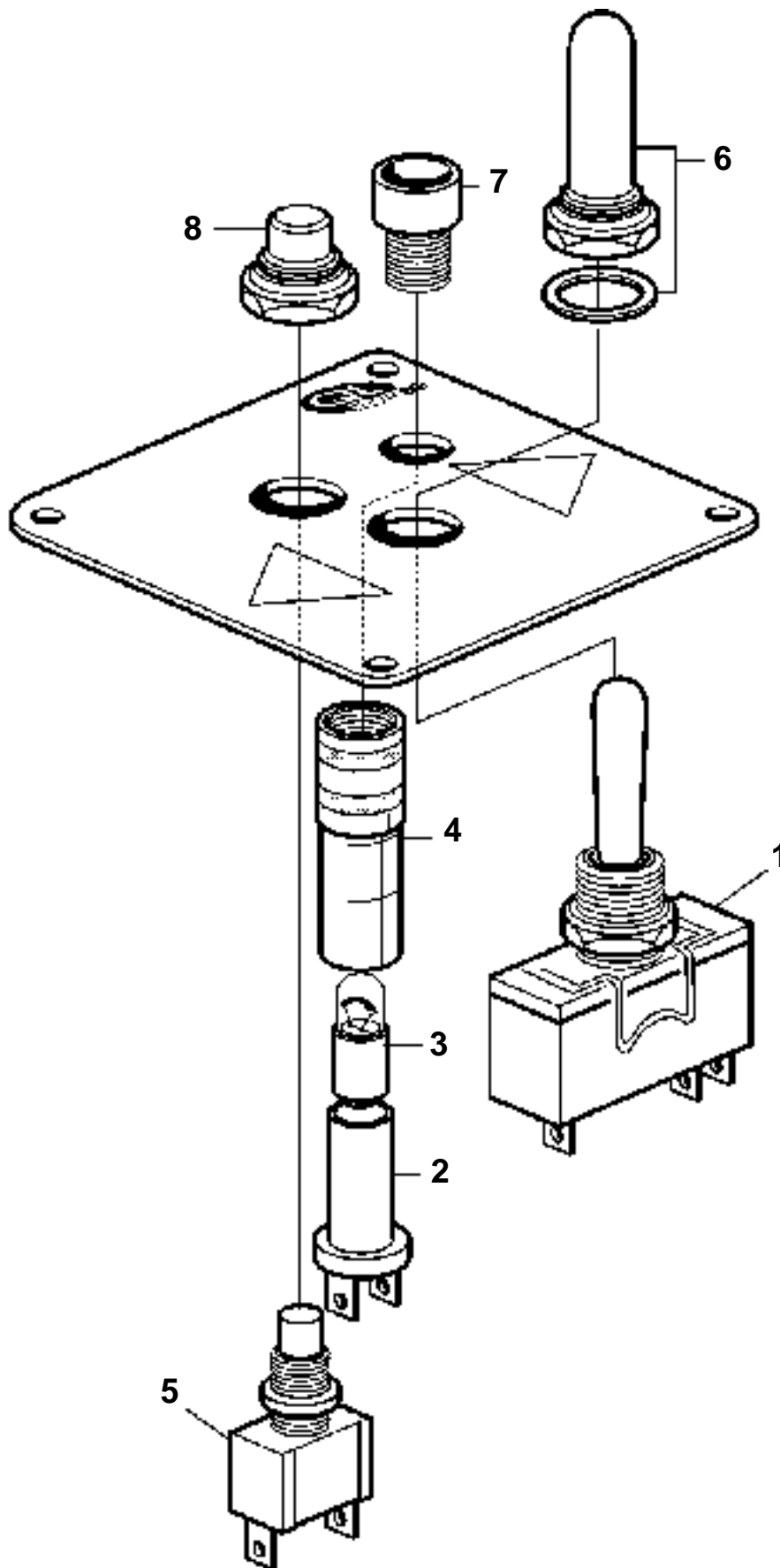
REF	PART NO.	DESCRIPTION		NOTES
3	41100716	Sealing kit		
4	41100717	Bearing kit		
5	41100733	Shaft set		
6	41100720	Lock ring kit		
7	41100734	Drive gear set		
8	41100722	Flange		
9	41100721	Screw kit		
10	41100308	Gear housing		
11	41100274	Plug kit		
12	41100735	Gear housing, complete		
17	41100741	Bracket	SO	
18	41100285	O-ring kit		
19	41100752	Coupling kit		
20	41100750	Drive gear set, coupling		
21	41100730	Propeller, RH		
22	41100732	Spare parts kit, spare part kit		
23	41100754	Screw kit		
24	41100731	Propeller, LH		
25	41100276	Zinc anod		
27	41100755	Spacer flange		
36	41100757	Hydraulic motor		
37	41100758	Screw kit		
	41100129	Oil		0.25 l/8.4 Oz
	41100659	Oil tank		
41	41100275	Seal		



20986

CT600

REF	PART NO.	QTY	DESCRIPTION	NOTES
1	41100761	1	Bow thruster, 12V	
	41100771	1	Bow thruster, 24V	
2	41100767	1	Control unit, 12V	
	41100768	1	Control unit, 24V	
3	41100670	1	Relay, 12V	
	41100710	1	Relay, 24V	
4	41100796	1	Circuit board	
5	41100788	1	Belt protector	
6		1	Nut set	
7	41100787	1	Drive belt	
8	41100782	1	Propeller	
9	41100783	1	Drive pin	
10	41100779	1	Screw kit	
11	41100774	1	Sealing kit	Included grease 828250.
12	41100784	1	Screw kit	
13	41100781	1	Shear pin	
14	41100789	1	Carbon brush set	
	41100790	1	Carbon brush set	



20010



REF	PART NO.	DESCRIPTION	NOTES
1	814322	Switch	
2	808175	Bulb socket	
3	19923	Bulb, 12V	
	182059	Bulb, 24V	
4	819350	Sleeve	
5	828585	Switch	
6	828743	Button	
7	827766	Lens	
8	828586	Nut	
	41100619	Protecting bellows	joystick panel (black)

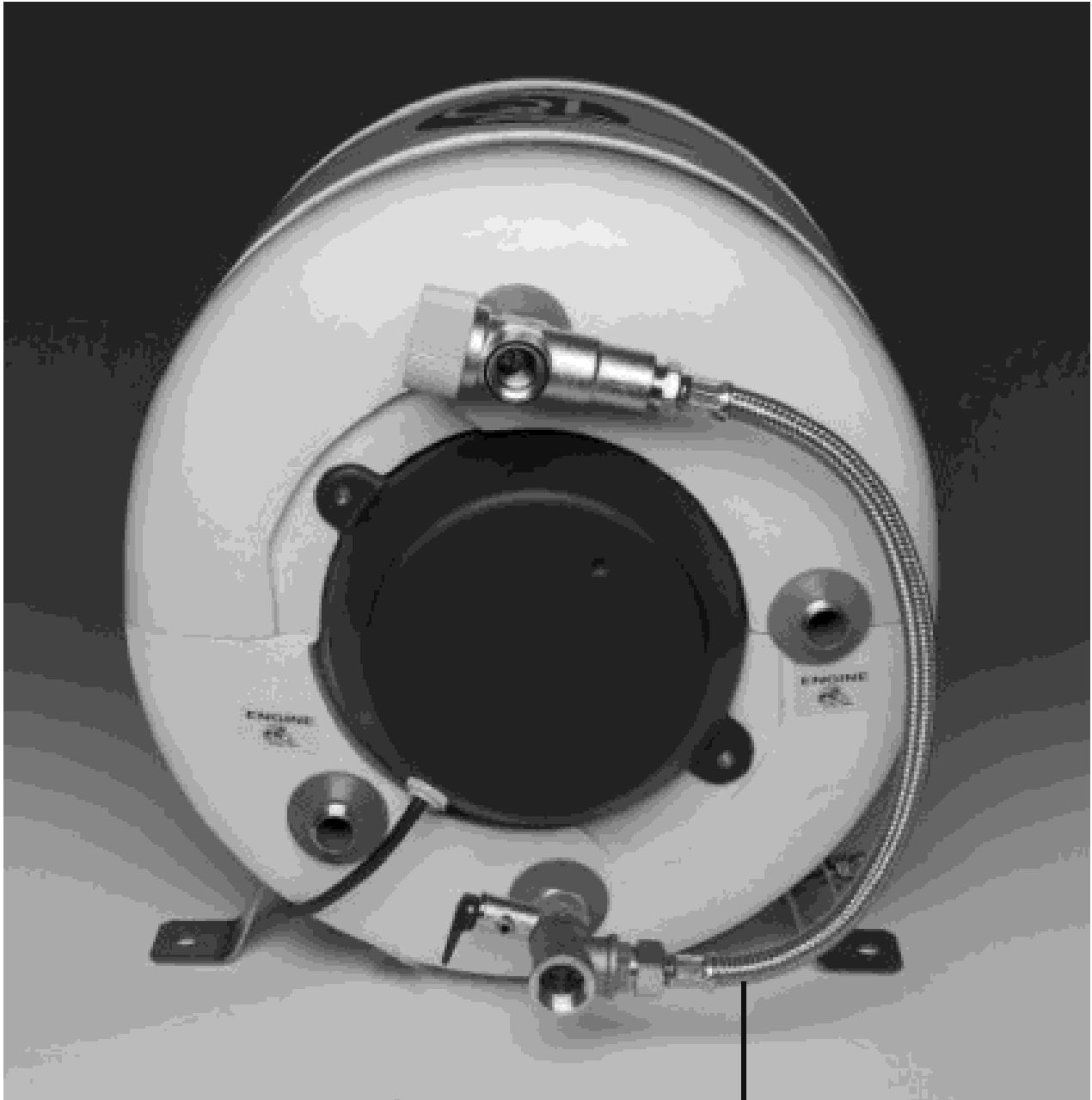


1, 2, 5, 6

3, 7

4, 8

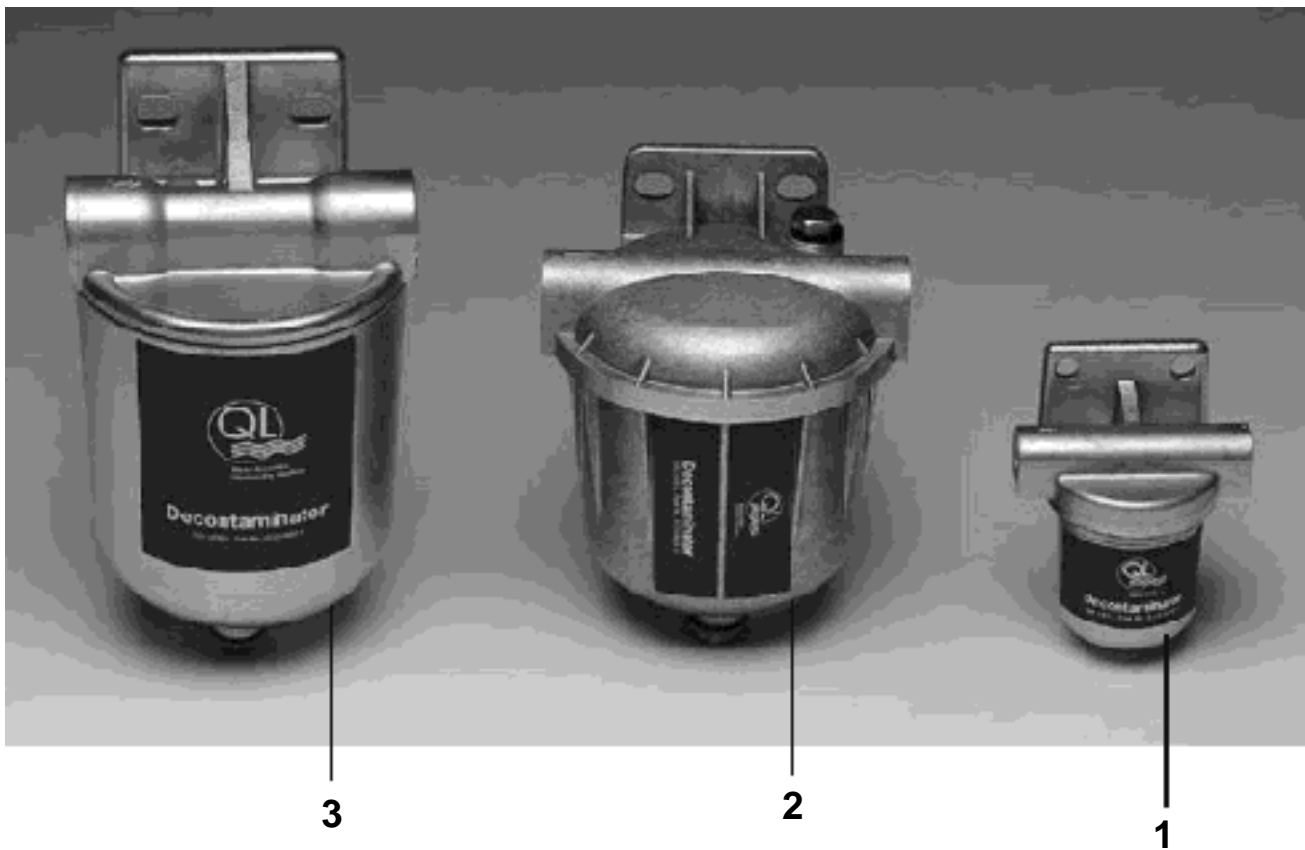




1

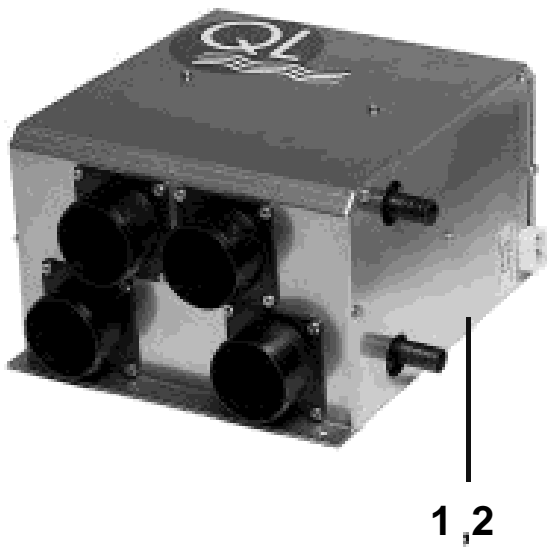
REF	PART NO.	DESCRIPTION	NOTES
		<b>Accessories</b>	
<b>1</b>	<b>41103505</b>	<b>Thermostat valve, 30-50°C/85-120°F</b>	<b>See picture</b>
	<b>41103503</b>	<b>Current limiter, 50%</b>	
	<b>41103504</b>	<b>Heater, 1500W/220V</b>	
	<b>41103514</b>	<b>Heater, 1500W/110V</b>	
	<b>41103506</b>	<b>Magnetic filter</b>	
	<b>41103507</b>	<b>Hose connection, 2 x 1/2" x 16 mm</b>	
		<b>Spare parts</b>	
	<b>41103508</b>	<b>Heater, 800W/220V</b>	
	<b>41103515</b>	<b>Heater, 800W/110V</b>	
	<b>41103509</b>	<b>Thermostat</b>	
	<b>41103510</b>	<b>Safety valve</b>	

DC140, DC500, DC1000



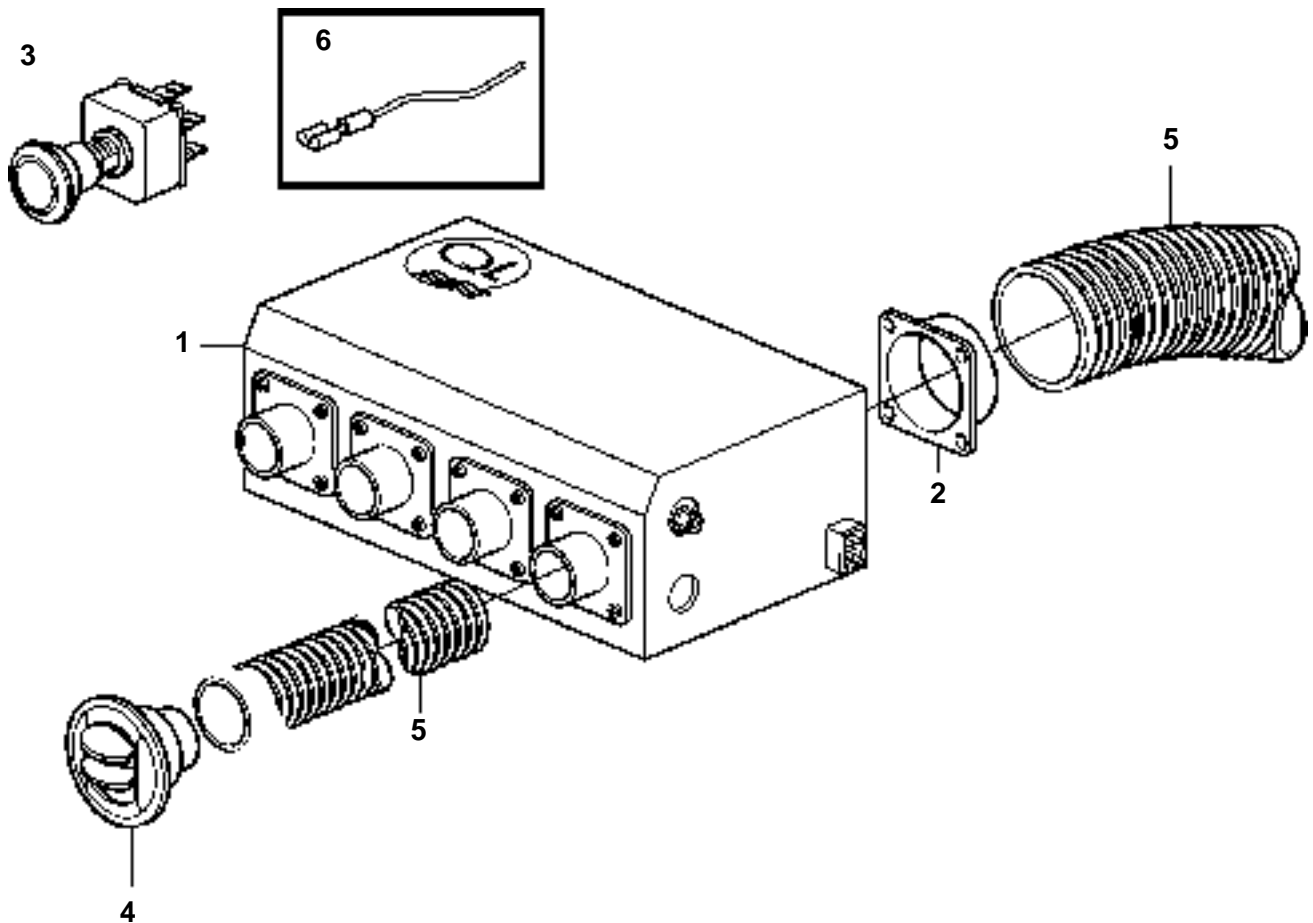
DC140, DC500, DC1000

REF	PART NO.	QTY	DESCRIPTION	NOTES
1	41103600		Fuel cleaner, DC140	Max 140 l/h; < 37 US gal/h; 1/4" NPT
2	41103601		Fuel cleaner, DC500	140 - 500 l/h; 37 - 132 US gal/h; 1/2" NPT
3	41103602		Fuel cleaner, DC1000	500 - 1000 l/h; 132 - 264 US gal/h; 1/2" NPT
			<b>Accessories</b>	
	3825000	2	Nipple, DC140	1/4" NPT for 5/16". Connection to 3/8" fuel hose
	479954	2	Nipple, DC500 / 1000	Connection to 5/16" fuel hose
	855207	2	Nipple	1/4"-18 NPTF. Connection to 9mm(3/8") fuel hose.
	479954	2	Nipple, DC500 / 1000	Connection to 3/8" fuel hose
	3825000	2	Nipple	1/4" NPT for 5/16". Connection to 3/8" fuel hose
			<b>Spare parts</b>	
	41103603		Sealing ring, DC140	
	41103604		Sealing ring, DC500	
	41103605		Sealing ring, DC1000	









37

REF	PART NO.	DESCRIPTION	NOTES
		<b>Accessories</b>	
1	41103304	Hose connection, 50 mm/2.0 in	
	41103317	Hose connection, 55 mm/2.2 in	
	41103305	Hose connection, 60 mm/2.4 in	
2	41103306	Hose connection, 80 mm/3.1 in	
3	41103307	Switch	
4	41103312	Air outlet, 50 mm/2.0 in	
	41103313	Air outlet, 55 mm/2.2 in	
	41103308	Air outlet, 60 mm/2.4 in	
5	41103309	Air hose, 50 mm/2.0 in	
	41103314	Air hose, 55 mm/2.2 in	
	41103329	Air hose, 55 mm/2.2 in	2,4m/8" High flex hose
	41103310	Air hose, 60 mm/2.4 in	
	41103311	Air hose, 80 mm/3.1 in	
	41103326	Y-koppling, 55 mm/2.2 in	
	41103325	Y-koppling, 60 mm/2.4 in	
	41103316	Y-koppling, 80 mm/3.1 in	
6	881486	Cable terminal	
		<b>Spare parts</b>	
	41103318	Heater	5 kW
	41103319	Heater	10 kW
	41103320	Fan	5 kW
	41103321	Fan	10 kW
	41103322	Fan	5 kW
	41103323	Fan	10 kW
	41103327	Resistor, 12V	
	41103328	Resistor, 24V	



1



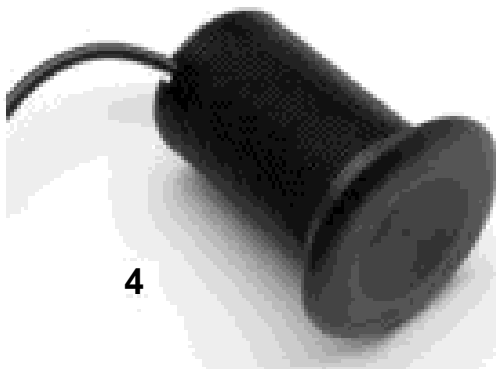
2



3



6



4



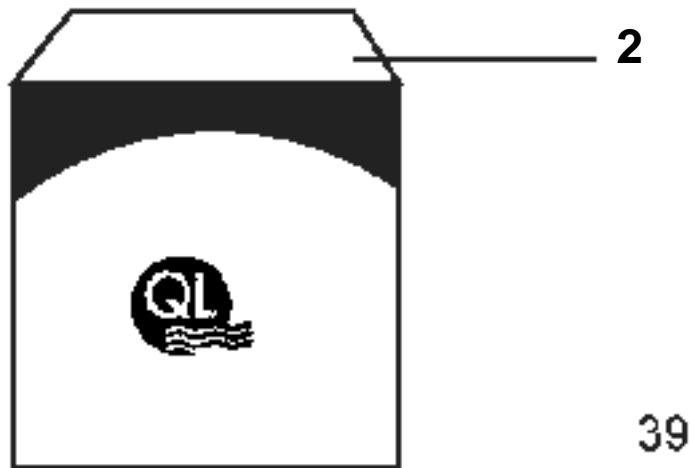
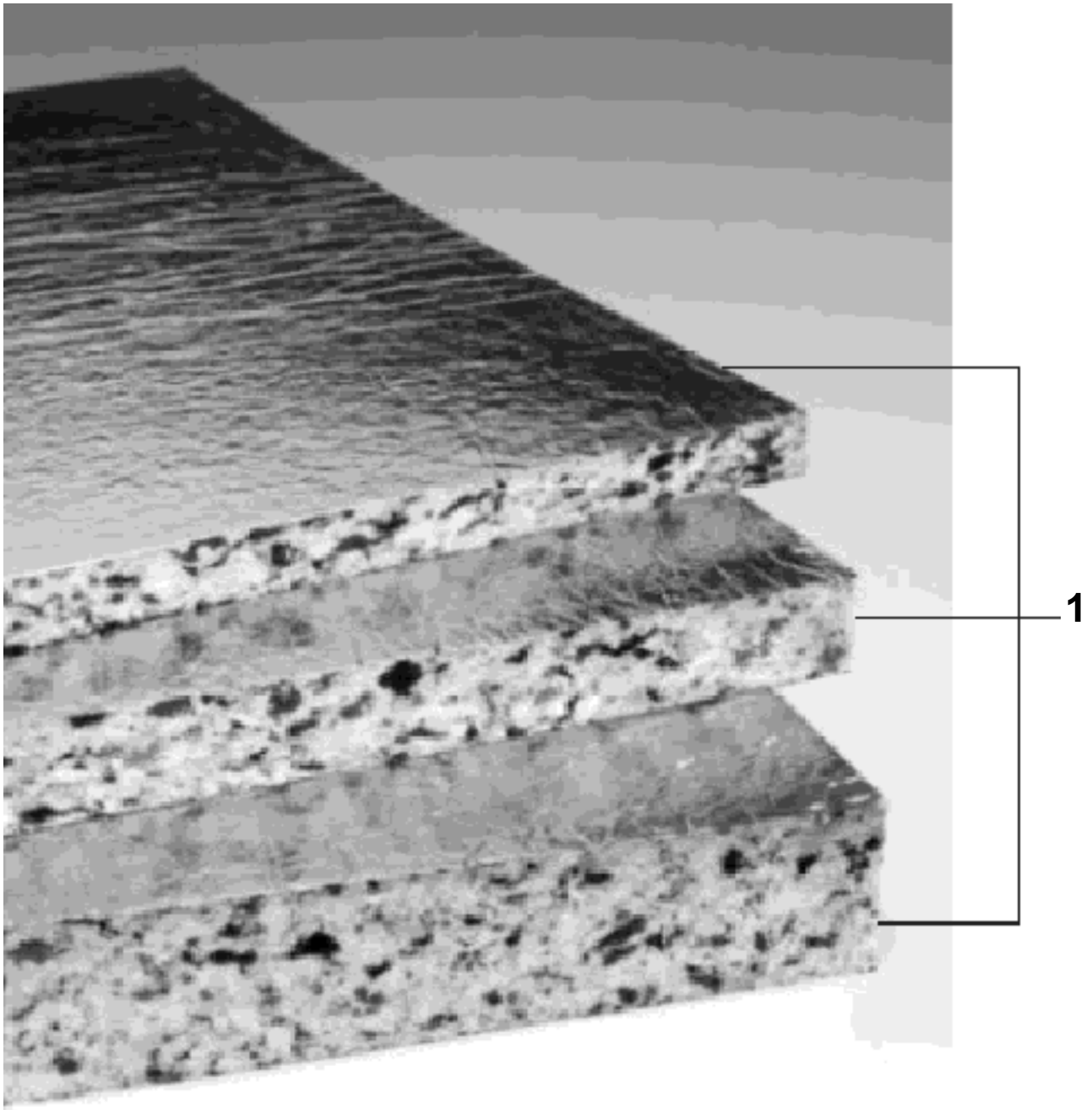
7



5

--

REF	PART NO.	DESCRIPTION	NOTES
1	41103714	Instrument, QL Multi Display	
	41103715	Instrument, VP Multi Display	
	830929	Cover, multidisplay	
		Accessories	
2	41103700	Antenna, GPS	
3	41103701	Instrument, electronic compass	
4	41103703	Sender, depth	
5	41103702	Impulse sensor	Interface for speed/depth
6	41103711	Sender, wind speed	
7	41103705	Sender, speed / temp	
	41103706	Bracket, trunnion	
	41103712	Sender	Speed/depth/temp sensor (transom mount)
	41103707	Cable	Network cable 0,5 m/1.6 ft
	41103708	Cable	Network cable 5 m/16.4 ft
	41103709	Cable	Network cable 10 m/32.8 ft
	41103710	Cable clamp	



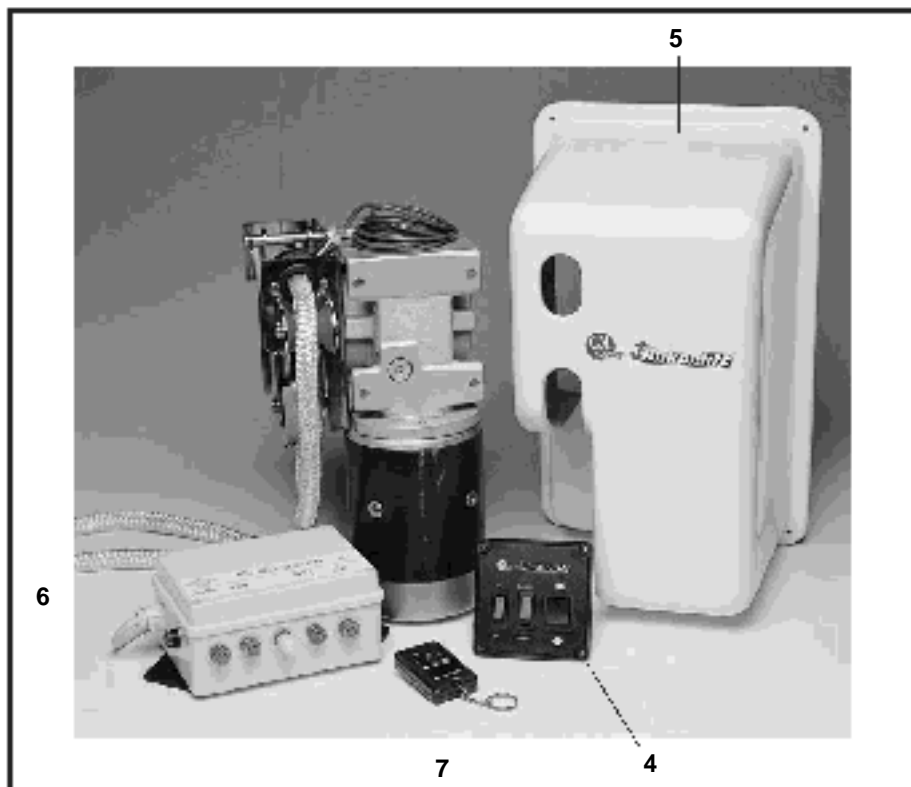
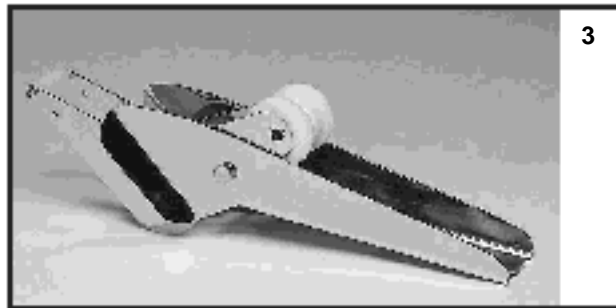
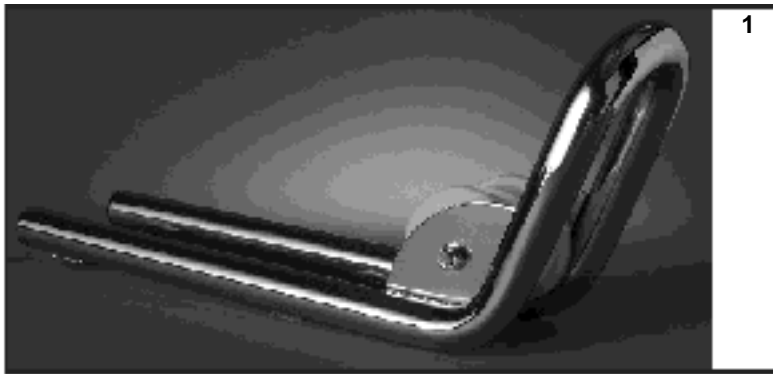
REF	PART NO.	DESCRIPTION	NOTES	
1	41103800	Isolation, non-adhesive	20mm/0,8in	
	41103801	Isolation, non-adhesive	30mm/1,2in	
	41103802	Isolation, non-adhesive	50mm/2,0in	
	41103803	Isolation, self-adhesive	20 mm/0.8 in	
	41103804	Isolation, self-adhesive	30 mm/1.2 in	
	41103805	Isolation, self-adhesive	50 mm/2.0 in	
	41103806	Foil, self-adhesive	5 m roll/16.4 ft	
	41103807	Foil, self-adhesive	50 m roll/164 ft	
	2	41103810	Screw kit	
				Material: Recycled polyurethane foam
			Density: 100 kgs/m <sup>3</sup> 6.24 lb/ft <sup>3</sup>	
			Protection film: Aluminium foil	
			Fire proof reg: ISO3795 (FMVSS302)	
			Temperature resistance: 200°C/390°F	
			Oxygen index: 24 % according to ASTM D2863-91 Size: 1000 x 500 mm/ 39.1 x 19.6 in	



40

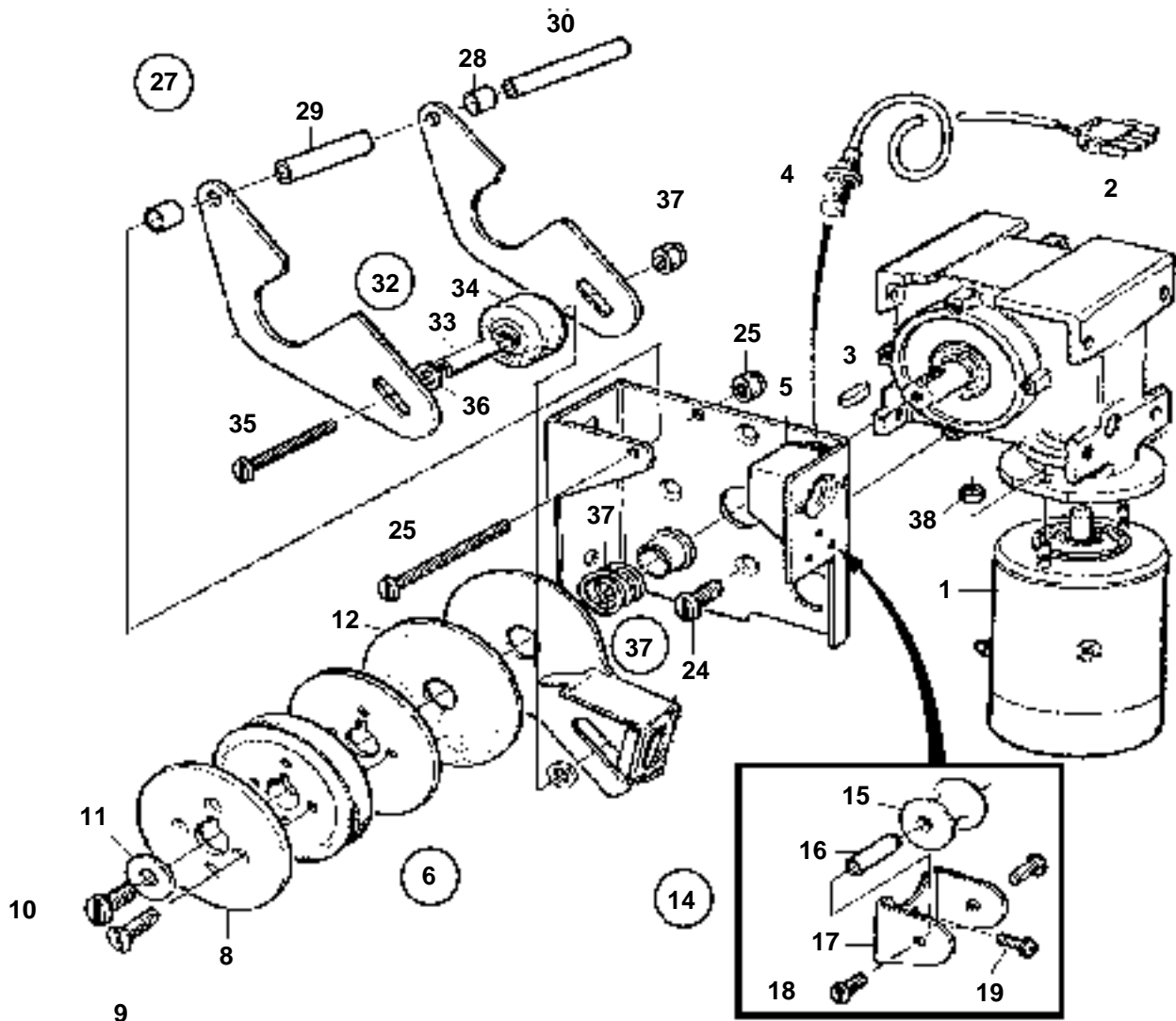


PART NO.	DESCRIPTION	SEE SEC.	NOTES
41100501	Anchor		Windlass kit: Effect:1000W, Volt:12V, Thrust:350kg, Winschspeed:25 m/min
	Accessories	35	
	Spare parts	36	



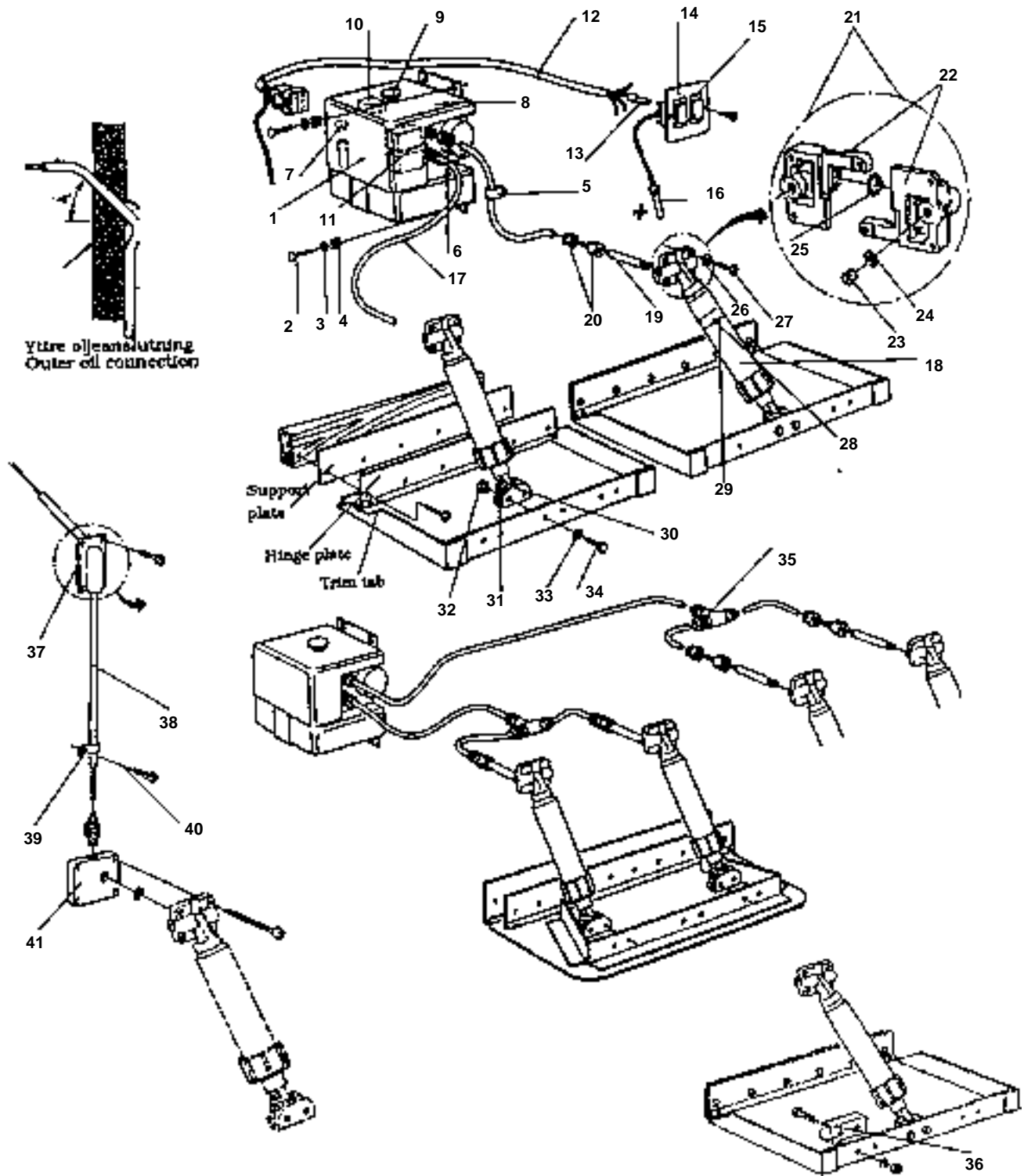
41



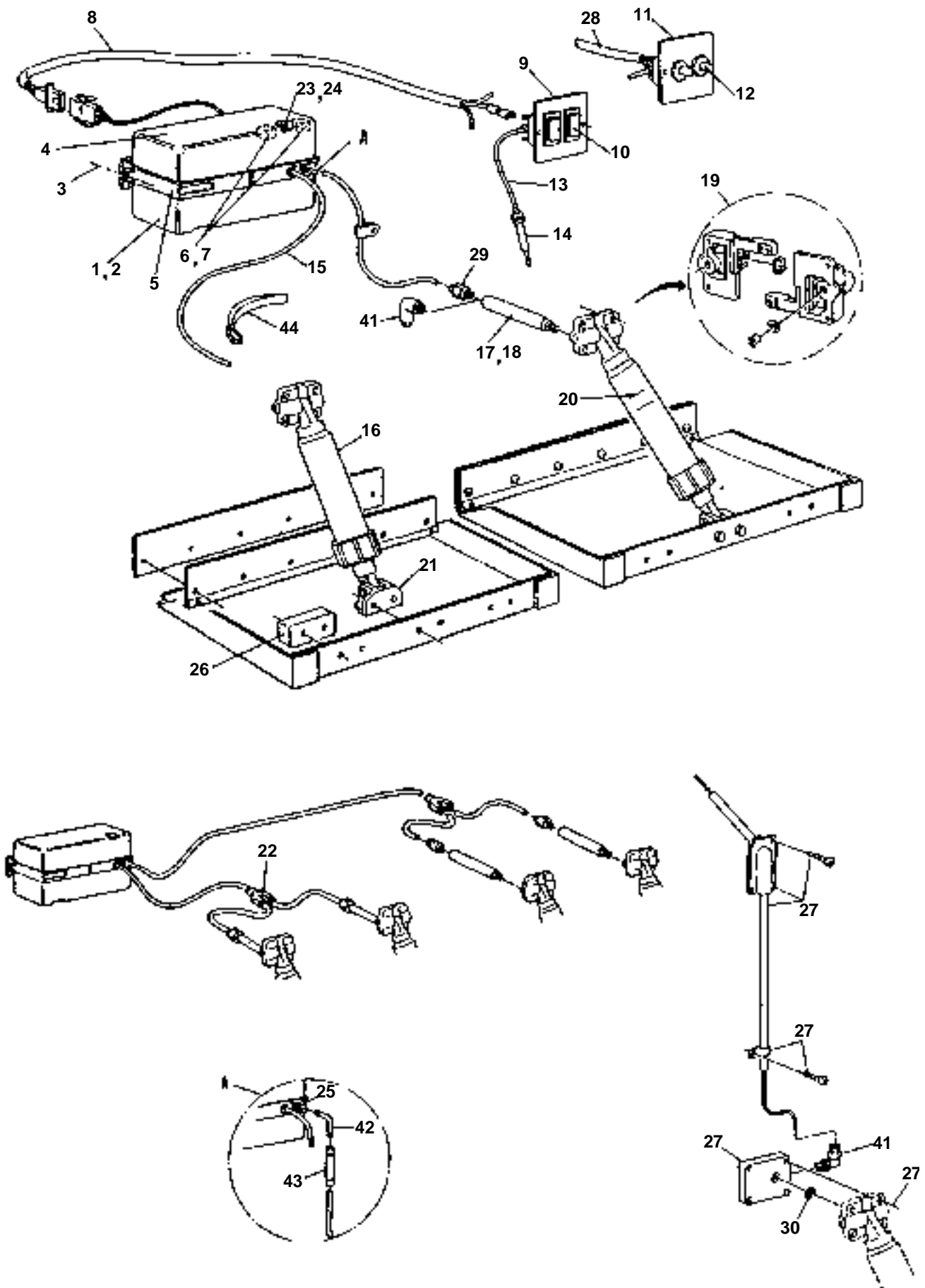


42

REF	PART NO.	QTY	DESCRIPTION	NOTES
1	41100523	1	Electrical motor	1000 W, 12 V DC
2	41100526	1	Gear	53:1
3	41100508	1	Key	8x22
4	41100509	1	Sender	(3580523)
5	41100527	1	Guide lug	(3580524)
6	41100510	1	Drive gear	
8		2	· Side plate	
9		4	· Screw	
10		1	· Screw	M6x16mm
11		1	Washer	M8x30mm
12	41100515	1	Disc	
14		1	Organiser	for outside
	41100528		Roller	
15		1	· Roller	
16		1	· Bushing	
17		1	· Mount	
18		2	· Screw	M6x10
19		3	· Screw	M5x6
20	41100514	1	Compression spring	
21		1	· Spring	
22		1	· Bushing	
24		4	Screw	M8x16mm
25		1	Screw	M6x70
26		1	Nut	M6
27	41100513	1	Spacer	
28		2	· Distance tube	
29		1	· Distance tube	
30		1	· Distance tube	
32	41100512	1	Tension pulley	
33		1	· Bushing	
34		1	· Wheel	
35		1	Screw	
36		2	Washer	M6x47
37		1	Nut	M6 Nylock
38		2	Nut	M6
	41100522	1	Spring control	
	41100524	1	Relay box	

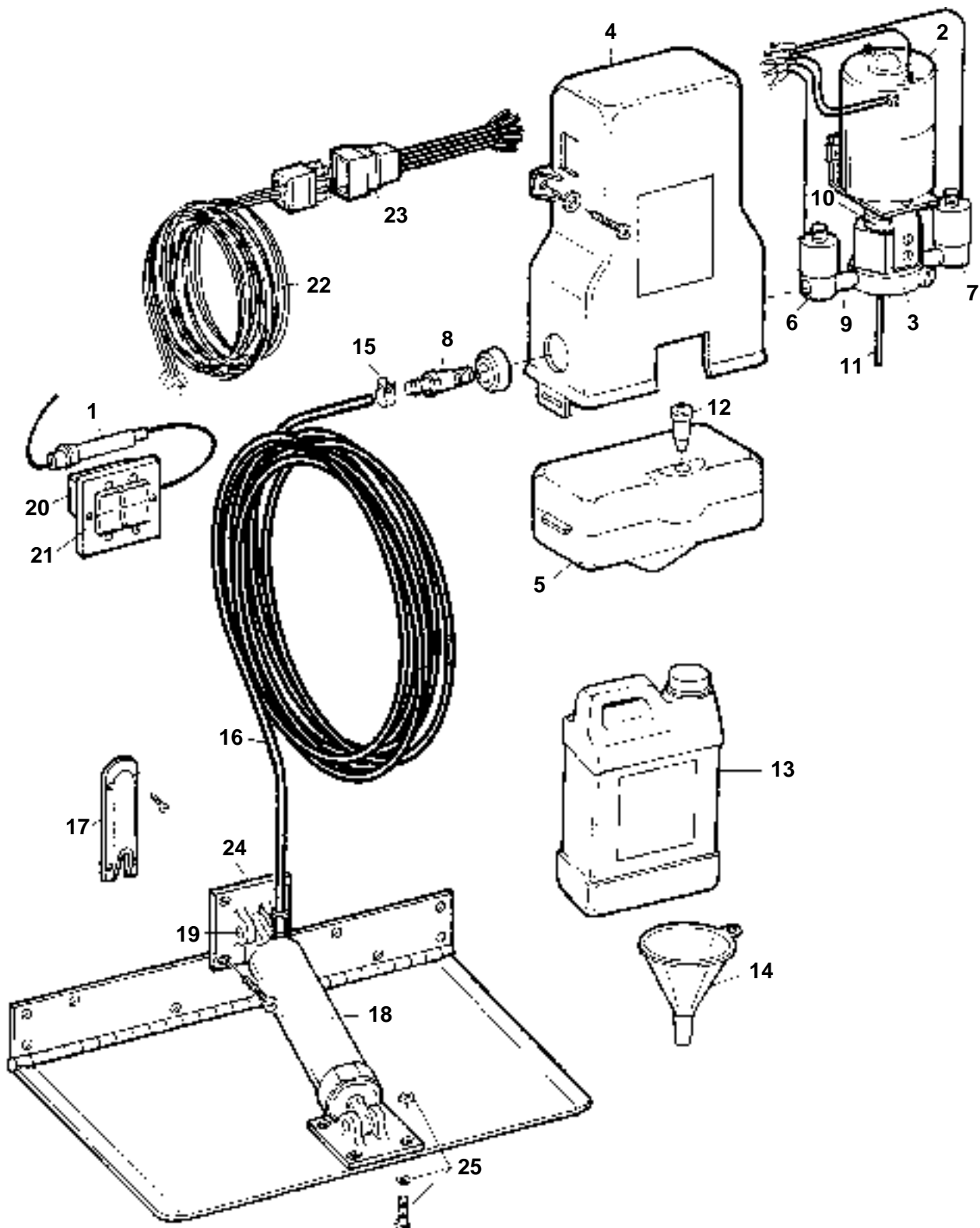


REF	PART NO.	QTY	DESCRIPTION	NOTES
8	41100059	1	Cover	
9		1	· Locking screw	
10	41100061	1	Relay, 12V	
		1	Relay, 24V	
11	41100064	1	Solenoid valve	
12	41100075	1	Cable trunk	L=7,0m
13		4	· Flatpin connector	
15	41100069	1	Sealing kit	
		2	· Sealing	20A
	41100072	1	Set	SO
		2	· Fuse	
17	41100330	1	Hydraulic hose	L=6,0m
18	41100090	1	Trimming cylinder	
21	41100183	1	Cylinder anchorage	
22		2	· Cylinder anchorage	
23		1	· Plug	
24		1	· O-ring	4.3x2.4
25		2	· O-ring	11.3x2.4
26		4	· Washer	
27		4	· Screw	
28	41100198	1	Sealing kit	
		1	· O-ring	
		1	· Sleeve	
30	41100199	1	Anchorage	
31		1	· Locking pin	
32		2	· Nut	
33		2	· Shim	
34		2	· Screw	
35	41100335	1	Y-koppling	
36	41100049	1	Zinc anod	
		2	· Zinc anode	
37	41100200	1	Set	
		1	· Cover	
38		1	· Protection hose	
39		4	· Clamp	
40		4	· Screw	
41		1	· Spacer	
	41100201	1	Wiring harness	L=7,0m
		8	· Flatpin connector	
		5	· Cable bearer	
	41102100	1	Hydraulic fluid	0.9L





REF	PART NO.	QTY	DESCRIPTION	NOTES
4		1	Cover	
5	41100322	1	Attaching brace	
6	41100323	1	Set, 12V	
7	41100324	1	Set, 24V	
8		1	Cable block	L=7,0m
	41100329	4	· Cable trunk	
9	41100325	1	Control panel	
10	41100345	1	Switch	
11		1	Control panel	
12	41100328	1	Switch	
	41100072	1	Set	SO
14		2	· Fuse	20A
15	41100330	1	Hydraulic hose	L=6,0m
16	41100090	1	Trimming cylinder	
19	41100183	1	Cylinder anchorage	
		2	· Cylinder anchorage	
		1	· Screw plug	
		1	· O-ring	4.3x2.4
		2	· O-ring	11.3x2.4
		4	· Washer	
		4	· Screw	
20	41100198	1	Sealing kit, cylinder	
			· O-ring	
			· Sleeve	
21	41100199		Anchorage	
			· Locking pin	
			· Nut	
			· Washer	
			· Screw	
22	41100335		Y-koppling	
23	41100342		Gasket	
24			Oil dipstick	
25	41100344		Repair kit	
26	41100049		Zinc anod	
			· Zinc anode	
			· Fitting	
27	41100337		Spare parts kit	
			· Spacer	
		1	· Cover	
		1	· Protection hose	
		4	· Brace	
		8	· Screw	
		1	· Spacer	
		4	· Screw	
28		1	Cable harness	L=7,0m
		8	· Flatpin connector	
		5	· Cable bearer	
29		2	Connector	
30	41100362	2	O-ring	12x3 mm
	41102100	1	Hydraulic fluid	0.9L
			Spare parts	indicator kit
	41100404	1	Instrument	
	41100405	2	Bulb, 12V	
	41100406	2	Bulb, 24V	
	41100407	1	Cylinder	
	41100408	1	Electronic unit	



REF	PART NO.	DESCRIPTION	NOTES
	41102017	Pump unit, 12V	2 cylinders
	41102019	Pump unit, 24V	2 cylinders
1	41102047	Fuse	
2	41102021	Electrical motor, 12V	
	41102022	Electrical motor, 24V	
3	41102023	Hydraulic pump	
4	41102024	Cover	
5	41102025	Oil tank	
6	41102027	Solenoid valve, 12V	
	41102029	Solenoid valve, 24V	
7	41102027	Solenoid valve, 12V	
	41102029	Solenoid valve, 24V	
8	41102125	Hose coupling	
9	41102125	Hose coupling	
	41102032	Hose coupling	
10	41102033	Companion flange	
11		Suction pipe	
12	41102035	Plug	
13	41102100	Hydraulic fluid	
14	41102037	Funnel	
15	41102039	Hose clamp	
16	41102040	Hydraulic hose	
17	41102041	Protection	
18	41102042	Hydraulic cylinder	
19	41102044	Pin	L=2.2m
20	41102045	Switch	
21	41102048	Cover	
22	41102051	Cable harness	
23		Switch	
24	41102054	Anchorage	
25	41102055	Screw kit	
	41102121	Attaching brace	
		Cable harness	
	41102065	Receptacle housing	
		Pin housing	
	41102122	Sender	8 m cable
	41102072	Sender, inner	
	41102073	Coupling kit	
	41102082	O-ring kit	
	41102098	Instrument	black instrument
	41102099	Instrument	white instrument



PART NO.	DESCRIPTION	SEE SEC.	NOTES
41102000	Pump unit, 12V		2 cylinders
41102001	Pump unit, 24V		2 cylinders
41102002	Pump unit, 12V		4 cylinders
41102003	Pump unit, 24V		4 cylinders
	Spare parts	41	

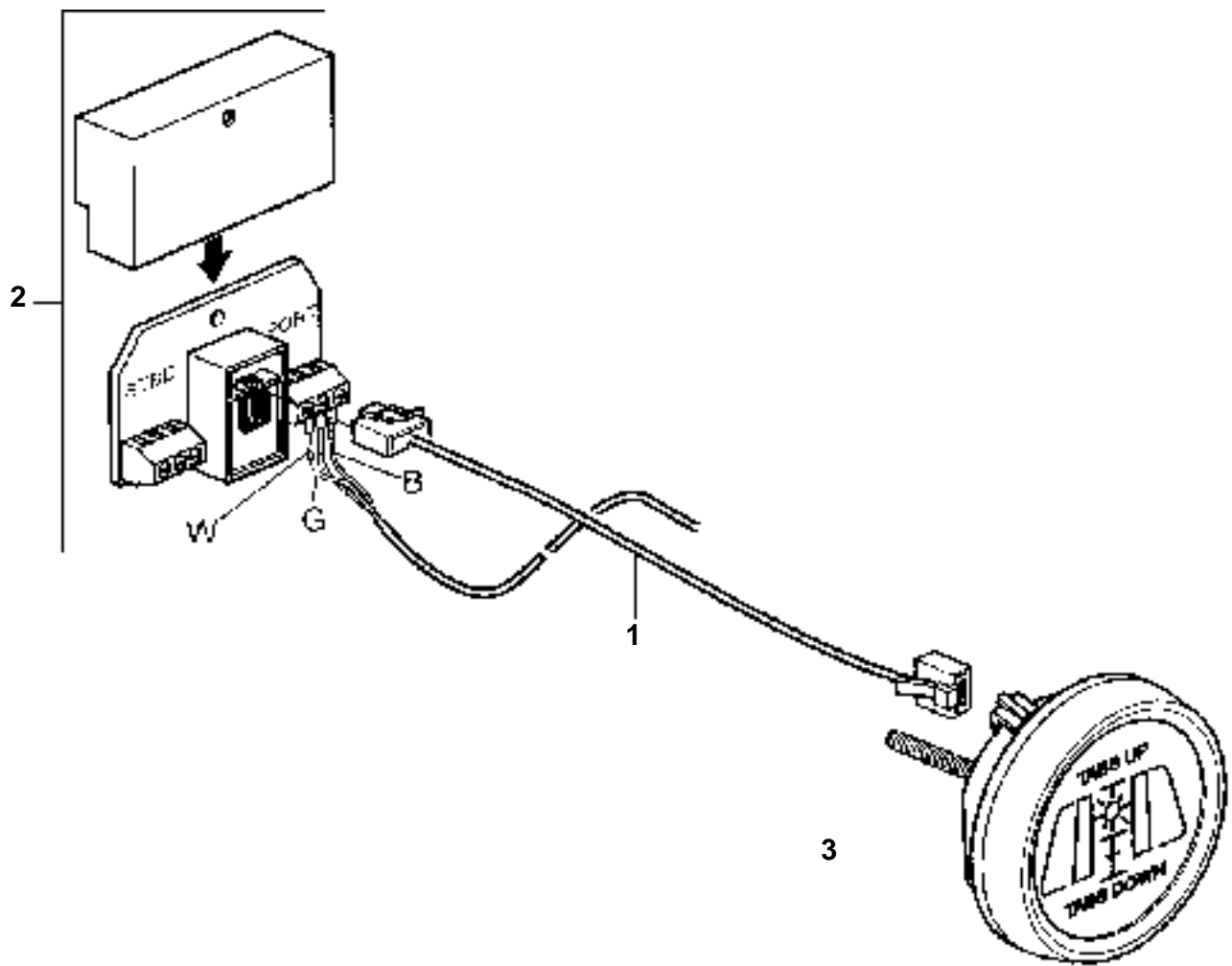


PART NO.	DESCRIPTION	NOTES
41102101	Pump unit, 12V	2 cylinders. black instrument
41102102	Pump unit, 24V	2 cylinders. black instrument
41102103	Pump unit, 12V	4 cylinders. black instrument
41102104	Pump unit, 24V	4 cylinders. black instrument
41102108	Pump unit, 12V	2 cylinders. white instrument
41102109	Pump unit, 24V	2 cylinders. white instrument
41102110	Pump unit, 12V	4 cylinders. white instrument
41102111	Pump unit, 24V	4 cylinders. white instrument
	<b>Spare parts</b>	
41102114	Cylinder	
41102115	Hose coupling	
41102116	Return spring	
41102123	Sealing kit	
41102124	Bracket kit	
41102055	Screw kit	



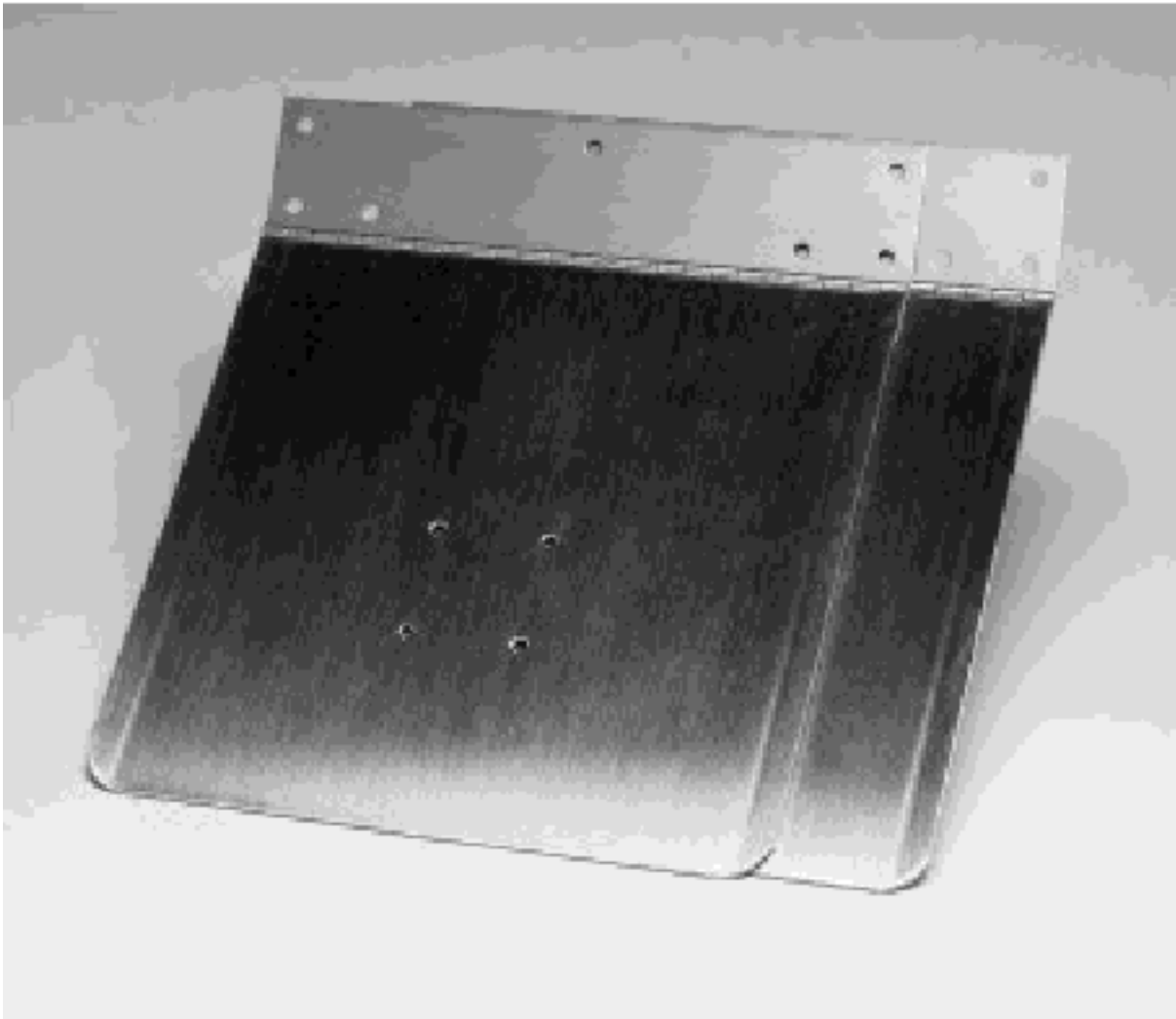


PART NO.	DESCRIPTION	NOTES
41102083	Instrument, tablocator kit	8 m cable. black instrument
41102084	Instrument, tablocator kit	8 m cable. white instrument
41102085	Instrument, black	6 m cable. Instrument and cables for flybridge
41102086	Instrument, white	6 m cable. Instrument and cables for flybridge
41102052	Cable harness	harness for flybridge control
41102067	Extension cable'verl	L=2,0m
41102068	Extension cable'verl	L=4,00m
41102126	Switch	complete set of switches with cover for flybridge



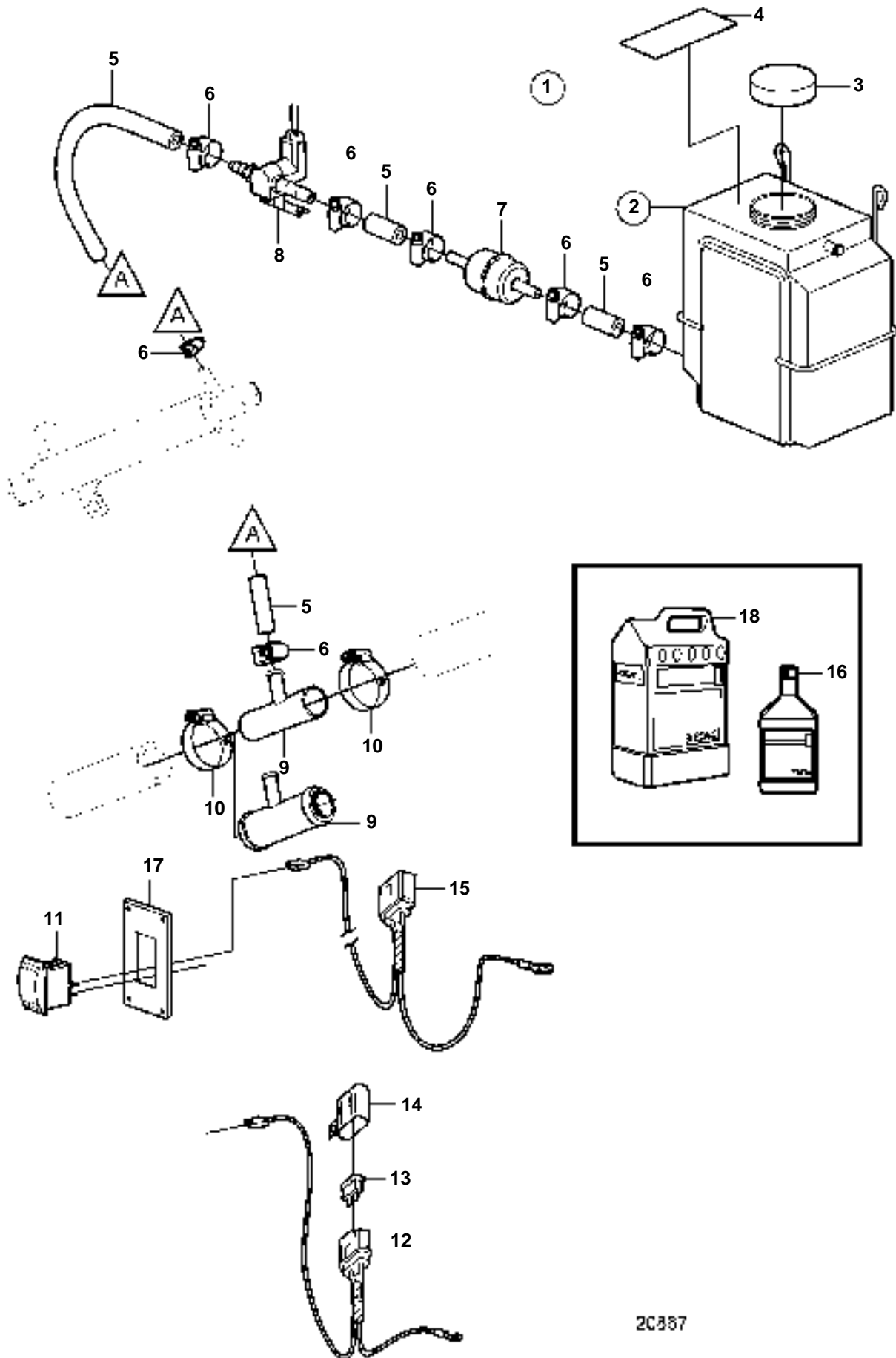
20984

REF	PART NO.	DESCRIPTION	NOTES
1	41102089	Extension cable'verl, outer	L=2,0m
	41102090	Extension cable'verl, inner	L=4,00m
	41102091	Cable, inner	L=8,00m
2	41102096	Switch, 3 way	
3	41102098	Instrument, black	incl daylight sensor
	41102099	Instrument, white	incl daylight sensor
	41102094	Sender, inner	
	41102095	Sender, outer	complete with brace and cable
	41102097	Cable	flybridge cable incl Y connection



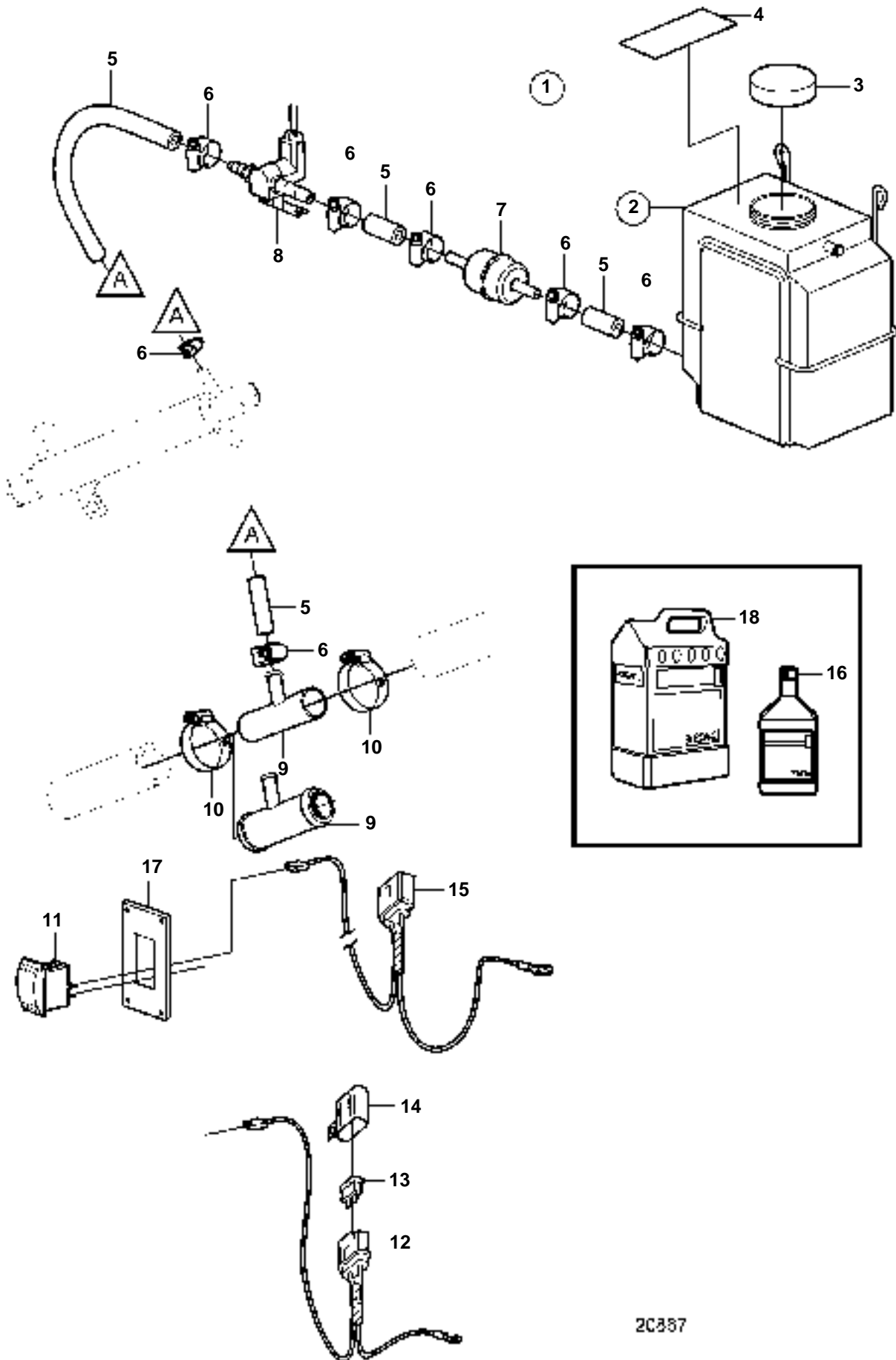
45

PART NO.	DESCRIPTION	NOTES
41102112	Trimming raft, 7,5" x 11"	1 cylinder. speed trim tabs
41102113	Trimming raft, 9" x 14"	1 cylinder. speed trim tabs
41102004	Trimming raft, 10" x 8"	1 cylinder
41102005	Trimming raft, 12" x 8"	1 cylinder
41102006	Trimming raft, 12" x 11"	1 cylinder
41102007	Trimming raft, 14" x 11"	1 cylinder
41102008	Trimming raft, 18" x 11"	1 cylinder
41102009	Trimming raft, 24" x 11"	1 cylinder
41102105	Trimming raft, 30" x 10"	1 cylinder
41102010	Trimming raft, 30" x 10"	2 cylinders
41102106	Trimming raft, 36" x 8"	1 cylinder
41102011	Trimming raft, 36" x 8"	2 cylinders
41102107	Trimming raft, 40" x 8"	1 cylinder
41102012	Trimming raft, 40" x 8"	2 cylinders
41102013	Trimming raft, 46" x 8"	2 cylinders
41102014	Trimming raft, 50" x 8"	2 cylinders
41102015	Trimming raft, 55" x 8"	2 cylinders
41102016	Trimming raft, 60" x 8"	2 cylinders



2C387

REF	PART NO.	QTY	DESCRIPTION	NOTES
1	41103100	1	Cleaner kit, Nuetra-Salt™	
2	3862039	1	· Tank	
		1	· · Bracket	NOT SERVICED
3	3858990	1	· · Cap	
4	7741899	1	· Decal	
5	3858991	1	· Hose	CUT
6	3853794	6	· Clamp	
7	3587530	1	Filter	
8	3862492	1	· Solenoid valve	
9	3861961	1	· T-pipe	25mm/1"
10	3853786	4	Clamp	
11	3862491	1	· Switch	
12	3862489	1	· Wiring harness	
13	983966	1	· · Fuse	1 AMP
14	8072808	1	· · Cover	
15	3862890	1	· Wiring harness	
16	41103103	1	· Neutralizing agent, Nuetra-Salt™	1 QUART (946ml)
17	3862899	1	· Switch plate	BLACK
	3862898	X	Switch plate	WHITE
	3862900	X	Switch plate	WOODGRAIN
18	41103102	X	Neutralizing agent, Nuetra-Salt™	1 GALLON (3.78L)



2C387

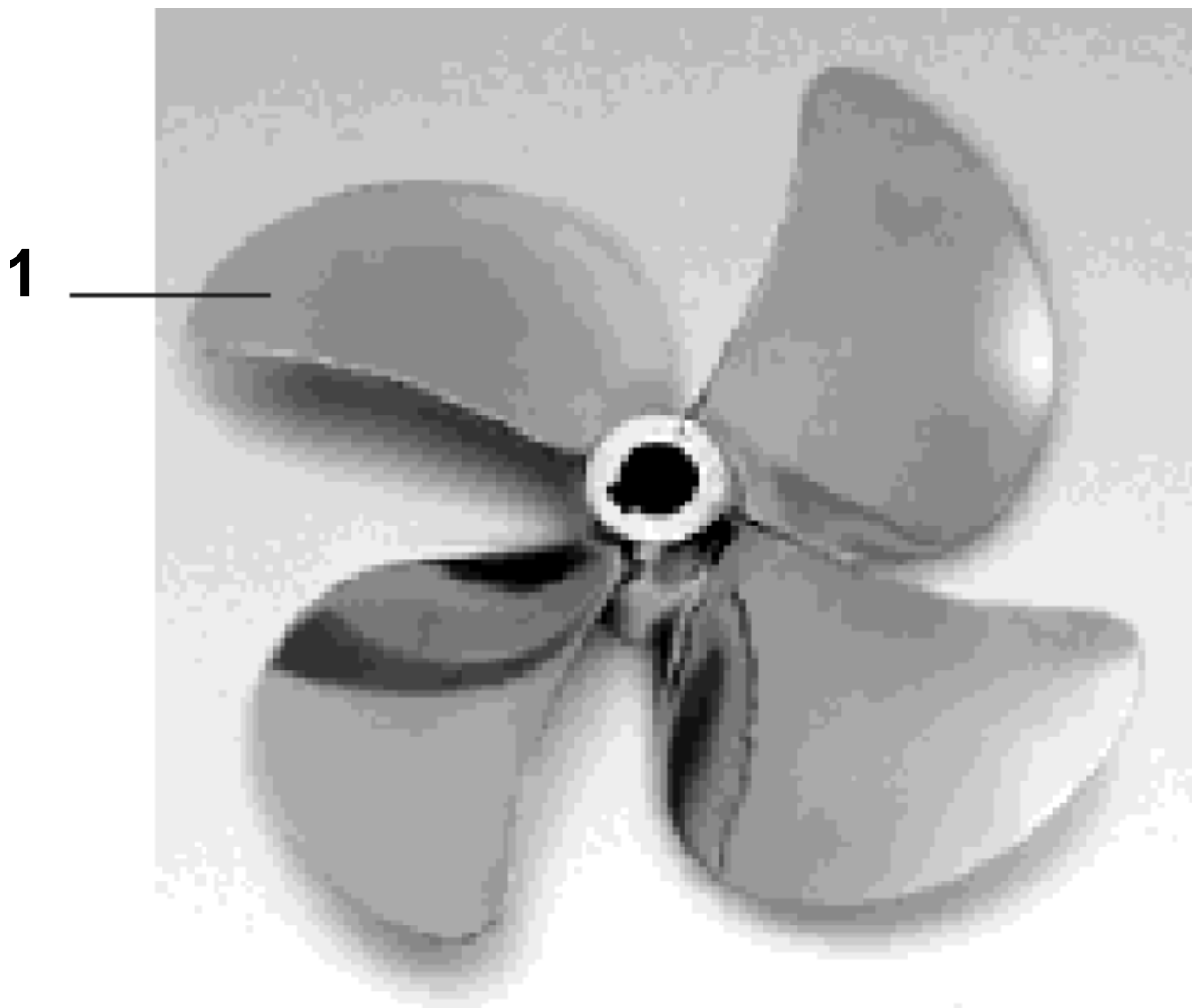


REF	PART NO.	QTY	DESCRIPTION	NOTES
1	41103101	1	Cleaner kit	
2	3862039	1	· Tank	
		1	· · Bracket	NOT SERVICED
3	3858990	1	· · Cap	
4	7741899	1	· Decal	
5	3858991	1	· Hose	CUT
6	3853794	6	· Clamp	
7	3587530	1	Filter	
8	3862492	1	· Solenoid valve	
9	3862940	1	· T-nipple	32mm/ 11/4"
10	3853786	4	Clamp	
11	3862491	1	· Switch	
12	3862489	1	· Wiring harness	
13	983966	1	· · Fuse	1 AMP
14	8072808	1	· · Cover	
15	3862890	1	· Wiring harness	
16	41103103	1	· Neutralizing agent, Nuetra-Salt™	1 QUART (946ml)
17	3862899	1	· Switch plate	BLACK
	3862898	X	Switch plate	WHITE
	3862900	X	Switch plate	WOODGRAIN
18	41103102	X	Neutralizing agent, Nuetra-Salt™	1 GALLON (3.78L)



--

PART NO.	DESCRIPTION	
41101900	Corrosion protection	
	Spare parts	
41101901	Electronic unit	
3855793	Cable	



20862

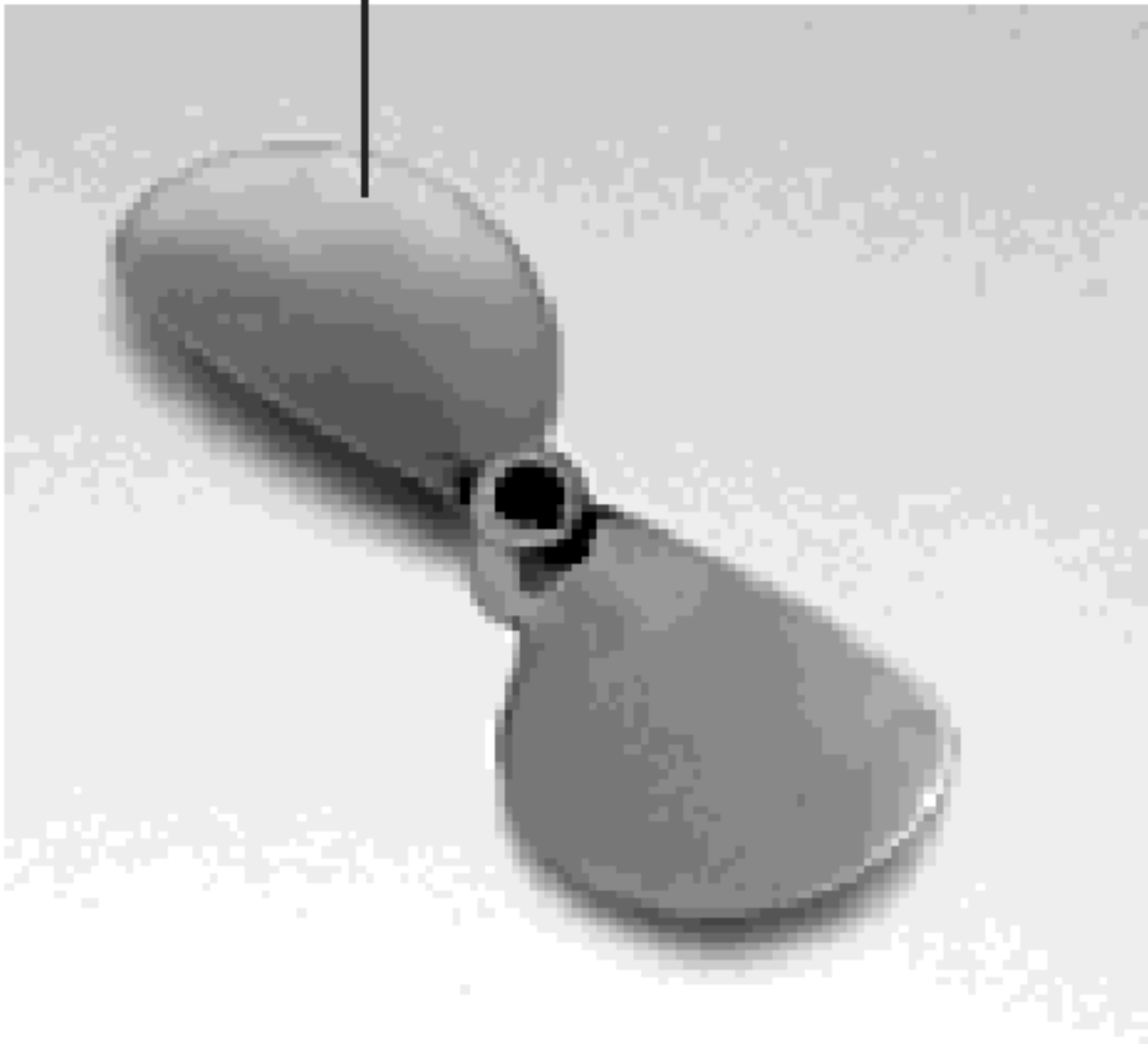
## QL PROPELLER PROGRAMME

REF	PART NO.	QTY	DESCRIPTION	NOTES
1	3856314	1	Propeller, blade area 0,69 LH	18x15x35
	3856315	1	Propeller, blade area 0,69 LH	18x16x35
	3856316	1	Propeller, blade area 0,69 LH	18x17x35
	3856317	1	Propeller, blade area 0,69 LH	18x18x35
	3856319	1	Propeller, blade area 0,69 LH	18x22x35
	3856321	1	Propeller, blade area 0,69 LH	18x23x35
	3856318	1	Propeller, blade area 0,69 LH	18x16x40
	873465	1	Propeller, blade area 0,69 LH	18x17x40
	873466	1	Propeller, blade area 0,69 LH	18x18x40
	873467	1	Propeller, blade area 0,69 LH	18x19x40
	873468	1	Propeller, blade area 0,69 LH	18x20x40
	3856320	1	Propeller, blade area 0,69 LH	18x22x40
	3856322	1	Propeller, blade area 0,69 LH	18x23x40
	3856323	1	Propeller, blade area 0,69 RH	18x15x35
	3856324	1	Propeller, blade area 0,69 RH	18x16x35
	3856325	1	Propeller, blade area 0,69 RH	18x17x35
	3856326	1	Propeller, blade area 0,69 RH	18x18x35
	3856327	1	Propeller, blade area 0,69 RH	18x16x40
	3856328	1	Propeller, blade area 0,69 RH	18x17x40
	3856329	1	Propeller, blade area 0,69 RH	18x18x40
	3856330	1	Propeller, blade area 0,69 RH	18x19x40
	3856331	1	Propeller, blade area 0,69 RH	18x20x40
	3856332	1	Propeller, blade area 0,69 RH	18x22x35
	3856333	1	Propeller, blade area 0,69 RH	18x22x40
	3856334	1	Propeller, blade area 0,69 RH	18x23x35
	3856371	1	Propeller, blade area 0,69 RH	18x23x40
	41101534	1	Propeller, blade area 0,74 RH	18x19x35. High skew
	41101432	1	Propeller, blade area 0,74 RH	SO 18x18x40. High skew
	41101434	1	Propeller, blade area 0,74 RH	18x19x40. High skew
	41101436	1	Propeller, blade area 0,74 RH	19x18x40. High skew
	41101438	1	Propeller, blade area 0,74 RH	19x19x40. High skew
	41101447	1	Propeller, blade area 0,74 RH	17x19x40. High skew
	41101449	1	Propeller, blade area 0,74 RH	13x21,5x40. High skew
	41101535	1	Propeller, blade area 0,74 RH	18x24x40. High skew
	41101452	1	Propeller, blade area 0,74 RH	19x20x40. High skew
	41101454	1	Propeller, blade area 0,74 RH	20x21,5x40. High skew
	41101457	1	Propeller, blade area 0,74 RH	SO 20,5x22,5x40. High skew
	41101458	1	Propeller, blade area 0,74 RH	21x22x40. High skew
	41101533	1	Propeller, blade area 0,74 RH	21x28x40. High skew
	41101531	1	Propeller, blade area 0,74 RH	600x780x45. High skew
	41101510	1	Propeller, blade area 0,74 RH	600x780x50. High skew
	41101440	1	Propeller, blade area 0,74 RH	SO 20x23x45. High skew
	41101443	1	Propeller, blade area 0,74 RH	22x26x45
	41101515	1	Propeller, blade area 0,74 RH	22x27x40. High skew
	41101513	1	Propeller, blade area 0,74 RH	26x34x50. High skew
	41101514	1	Propeller, blade area 0,74 RH	26x35x50. High skew
	41101444	1	Propeller, blade area 0,74 RH	22x29x45. High skew
	41101451	1	Propeller, blade area 0,74 RH	18,5x23x45. High skew
	41101453	1	Propeller, blade area 0,74 RH	SO 19x25x45. High skew
	41101456	1	Propeller, blade area 0,74 RH	20x24x45. High skew
	41101539	1	Propeller, blade area 0,74 RH	21x25x50
	41101433	1	Propeller, blade area 0,74 LH	18x18x40. High skew
	41101435	1	Propeller, blade area 0,74 LH	18x19x40. High skew
	41101437	1	Propeller, blade area 0,74 LH	19x18x40. High skew
	41101439	1	Propeller, blade area 0,74 LH	19x19x40. High skew
	41101446	1	Propeller, blade area 0,74 LH	SO 17x19x40. High skew
	41101448	1	Propeller, blade area 0,74 LH	13x21,5x40. High skew
	41101441	1	Propeller, blade area 0,74 LH	SO 20x23x45. High skew

QL PROPELLER PROGRAMME

REF	PART NO.	QTY	DESCRIPTION		NOTES
1	41101442	1	Propeller, blade area 0,74 LH		22x26x45. High skew
	41101445	1	Propeller, blade area 0,74 LH		22x29x45. High skew
	41101450	1	Propeller, blade area 0,74 LH		18,5x23x45. High skew
	41101455	1	Propeller, blade area 0,74 LH		19x25x45. High skew
	41101532	1	Propeller, blade area 0,74 LH		21x28x40. High skew
	41101530	1	Propeller, blade area 0,74 LH		600x780x45. High skew
	41101540	1	Propeller, blade area 0,74 LH		21x24x50
	41101537	1	Propeller, blade area 0,90 RH	SO	600x780x45
	41101536	1	Propeller, blade area 0,90 LH	SO	600x780x45
	41101538	1	Propeller, blade area 1,10 RH		

1

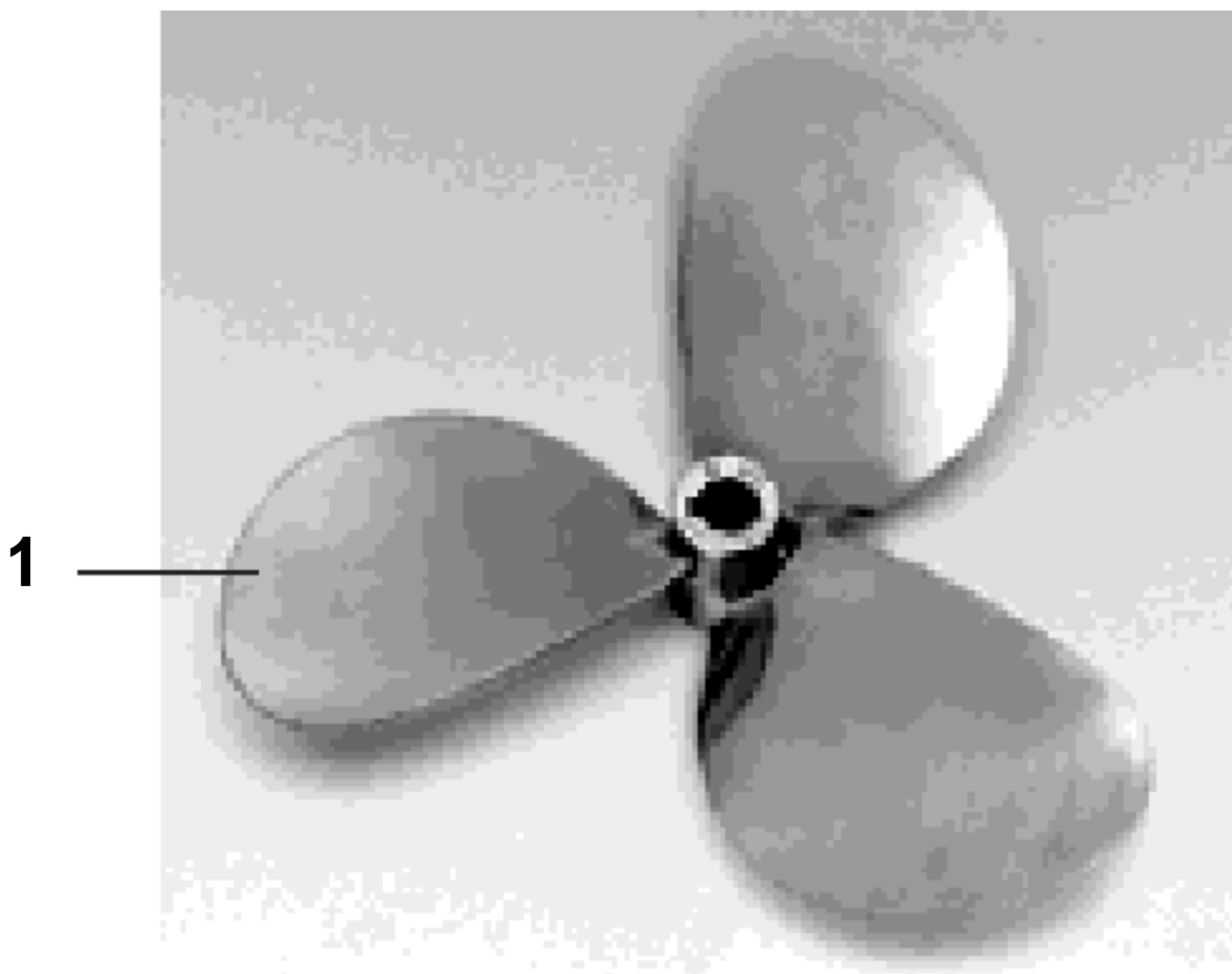


20864

QL PROPELLER PROGRAMME

REF	PART NO.	QTY	DESCRIPTION	NOTES
1	41101400	1	Propeller, blade area 0,34 RH	14x8x25
	41101497	1	Propeller, blade area 0,34 RH	14x9x25
	41101402	1	Propeller, blade area 0,34 RH	14x10x25
	41101403	1	Propeller, blade area 0,34 RH	14x11x25
	41101404	1	Propeller, blade area 0,34 RH	14x12x25
	41101405	1	Propeller, blade area 0,34 RH	15x10x25
	41101406	1	Propeller, blade area 0,34 RH	15x11x25
	41101407	1	Propeller, blade area 0,34 RH	15x12x25
	41101408	1	Propeller, blade area 0,34 RH	15x13x25
	41101409	1	Propeller, blade area 0,34 RH	SO 15x14x25
	41101410	1	Propeller, blade area 0,34 RH	16x8x25
	41101411	1	Propeller, blade area 0,34 RH	16x9x25
	41101412	1	Propeller, blade area 0,34 RH	16x10x25
	41101413	1	Propeller, blade area 0,34 RH	16x11x25
	41101498	1	Propeller, blade area 0,34 RH	SO 16x12x25
	41101499	1	Propeller, blade area 0,34 RH	SO 16x13x25
	41101500	1	Propeller, blade area 0,34 RH	SO 16x14x25
	41101501	1	Propeller, blade area 0,34 RH	SO 16x15x25
	41101502	1	Propeller, blade area 0,34 RH	17x11x25
	41101503	1	Propeller, blade area 0,34 RH	17x12x25
	41101504	1	Propeller, blade area 0,34 RH	SO 17x13x25
	41101505	1	Propeller, blade area 0,34 RH	SO 17x14x25
	41101506	1	Propeller, blade area 0,34 RH	SO 17x15x25
	41101507	1	Propeller, blade area 0,34 RH	SO 17x16x25
	41101508	1	Propeller, blade area 0,34 RH	SO 18x14x25
	41101509	1	Propeller, blade area 0,34 RH	SO 18x15x25
	41101414	1	Propeller, blade area 0,34 RH	20x14x30
	41101415	1	Propeller, blade area 0,34 RH	20x15x30
	41101416	1	Propeller, blade area 0,34 RH	





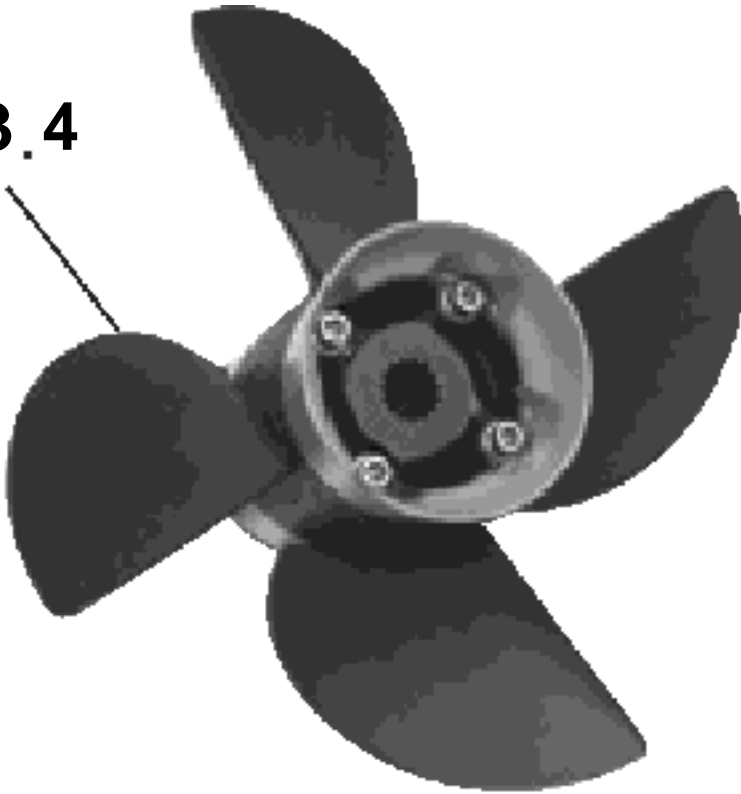
20863

## QL PROPELLER PROGRAMME

REF	PART NO.	QTY	DESCRIPTION	NOTES
1	41101459	1	Propeller, blade area 0,52 RH	14x8x25
	41101460	1	Propeller, blade area 0,52 RH	14x9x25
	41101461	1	Propeller, blade area 0,52 RH	14x10x25
	41101462	1	Propeller, blade area 0,52 RH	14x11x25
	41101464	1	Propeller, blade area 0,52 RH	15x11x25
	41101465	1	Propeller, blade area 0,52 RH	15x12x25
	41101466	1	Propeller, blade area 0,52 RH	15x13x25
	41101467	1	Propeller, blade area 0,52 RH	16x10x25
	41101469	1	Propeller, blade area 0,52 RH	16x11x25
	41101470	1	Propeller, blade area 0,52 RH	16x12x25
	41101471	1	Propeller, blade area 0,52 RH	16x13x25
	41101472	1	Propeller, blade area 0,52 RH	16x14x25
	41101474	1	Propeller, blade area 0,52 RH	17x11x25
	41101475	1	Propeller, blade area 0,52 RH	17x12x25
	41101477	1	Propeller, blade area 0,52 RH	17x13x25
	41101478	1	Propeller, blade area 0,52 RH	17x14x25
	41101480	1	Propeller, blade area 0,52 RH	17x15x25
	41101463	1	Propeller, blade area 0,52 RH	15x10x25
	41101468	1	Propeller, blade area 0,52 RH	16x10x30
	41101473	1	Propeller, blade area 0,52 RH	17x10x30
	41101479	1	Propeller, blade area 0,52 RH	17x14x30
	41101481	1	Propeller, blade area 0,52 RH	17x15x30
	41101482	1	Propeller, blade area 0,52 RH	18x11x30
	41101483	1	Propeller, blade area 0,52 RH	18x12x30
	41101484	1	Propeller, blade area 0,52 RH	18x15x30
	41101485	1	Propeller, blade area 0,52 RH	18x16x30
	41101486	1	Propeller, blade area 0,52 RH	19x11x30
	41101488	1	Propeller, blade area 0,52 RH	19x12x30
	41101489	1	Propeller, blade area 0,52 RH	19x17x30
	41101491	1	Propeller, blade area 0,52 RH	19x17x30
	41101492	1	Propeller, blade area 0,52 RH	19x18x30
	41101493	1	Propeller, blade area 0,52 RH	20x11x30
	41101496	1	Propeller, blade area 0,52 RH	21x14x30
	41101476	1	Propeller, blade area 0,52 RH	SO 17x12x35
	41101487	1	Propeller, blade area 0,52 RH	19x11x35
	41101490	1	Propeller, blade area 0,52 RH	19x13x35
	41101494	1	Propeller, blade area 0,52 RH	20x12x35
	41101495	1	Propeller, blade area 0,52 RH	20x13x35
	41101417	1	Propeller, blade area 0,55 RH	17x16x30
	41101418	1	Propeller, blade area 0,55 RH	18x11x30
	41101419	1	Propeller, blade area 0,55 RH	18x19x30
	41101420	1	Propeller, blade area 0,55 RH	19x11x30
	41101422	1	Propeller, blade area 0,55 RH	19x17x30
	41101423	1	Propeller, blade area 0,55 RH	19x18x30
	41101424	1	Propeller, blade area 0,55 RH	19x19x30
	41101421	1	Propeller, blade area 0,55 RH	19x15x35
	41101425	1	Propeller, blade area 0,55 RH	19x19x35
	41101426	1	Propeller, blade area 0,55 RH	19x21x35
	41101429	1	Propeller, blade area 0,55 RH	SO 20x22x35
	41101427	1	Propeller, blade area 0,55 RH	20x18x40
	41101428	1	Propeller, blade area 0,55 RH	20x21x40
	41101431	1	Propeller, blade area 0,55 RH	510x730x45
	41101430	1	Propeller, blade area 0,55 LH	510x730x45

QL PROPELLER PROGRAMME

1.2.3.4



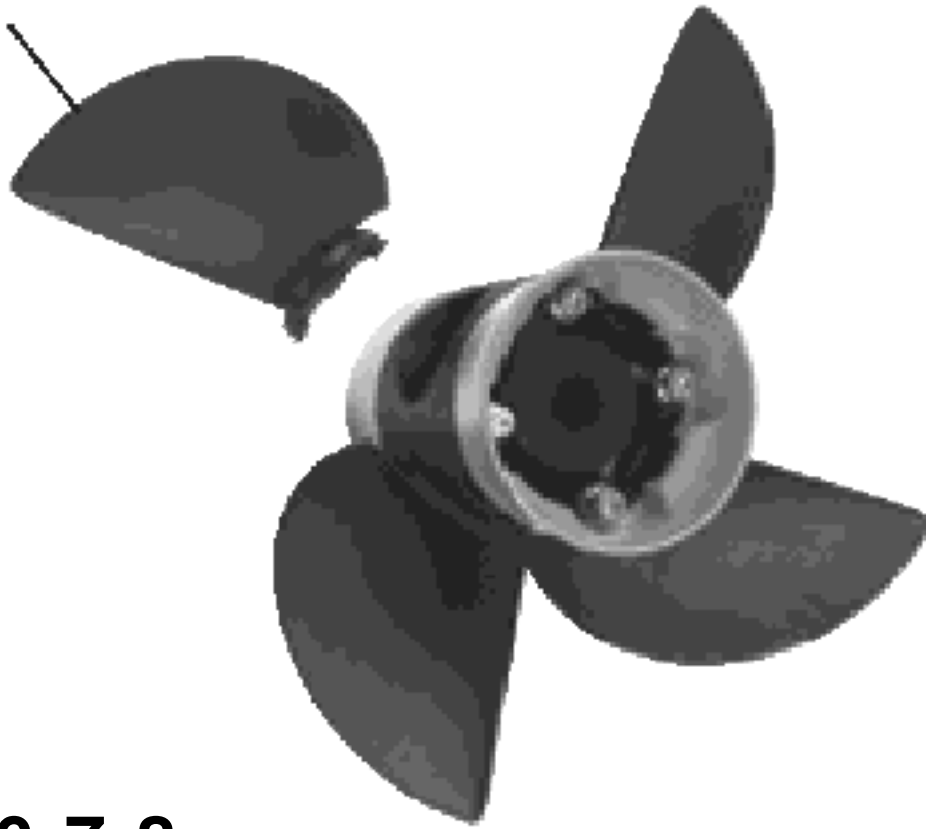
5.6.7



## QL PROPELLER PROGRAMME

REF	PART NO.	QTY	DESCRIPTION	SEE SEC.	NOTES
1	41101892	1	Propeller, RH	7615	135-300hp
	41101891	1	Propeller, RH	7615	135-300hp
2	41101882	1	Propeller, RH	7615	70-150hp
	41101881	1	Propeller, RH	7615	70-150hp
3	41101861	1	Propeller, RH	7615	40-70hp
	41101862	1	Propeller, RH	7615	40-70hp
4	41101842	1	Propeller, RH	7615	20-40hp
	41101841	1	Propeller, RH	7615	20-40hp
	41101897	1	Propeller, LH	7615	
	41101898	1	Propeller, LH	7615	
5	41101800	1	Adapter		
6	41101801	1	Screw kit		
7	41101802	1	Screw kit		

1.2.3.4.5



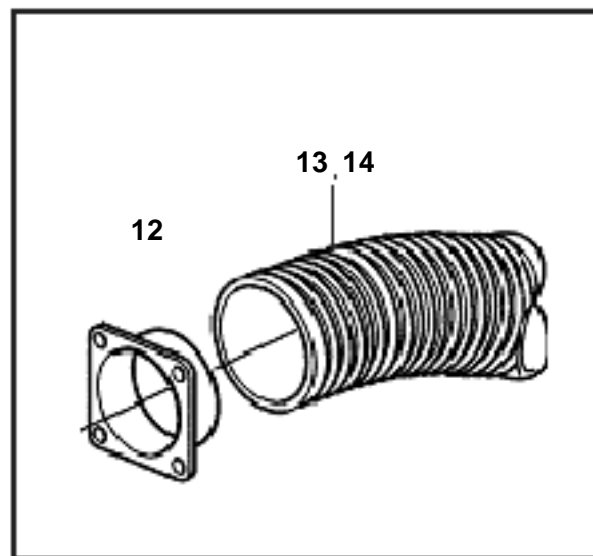
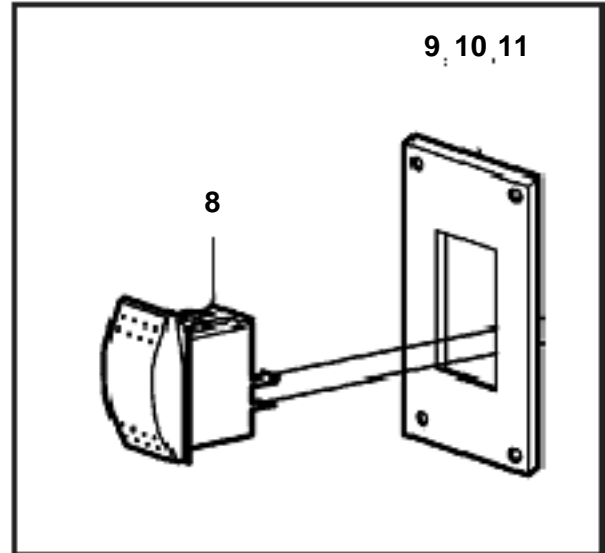
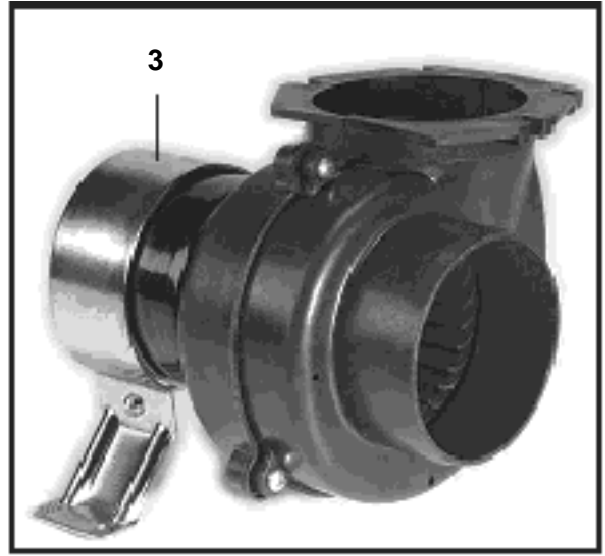
6.7.8



20868



QL BILGE BLOWERS PROGRAMME



20865

QL BILGE BLOWERS PROGRAMME

REF	PART NO.	QTY	DESCRIPTION		NOTES
1	41103900	1	Fan		3,8 m <sup>3</sup> / min. (135 CFM)
2	41103901	1	Fan		6,6 m <sup>3</sup> / min. (235 CFM)
3	41103902	1	Fan		2,9 m <sup>3</sup> / min. (105 CFM)
4	41103904	1	Fan		4,2 m <sup>3</sup> / min. (150 CFM)
5	41103905	1	Fan		7,0 m <sup>3</sup> / min. (250 CFM)
6	41103906	1	Fan		7,0 m <sup>3</sup> / min. (250 CFM). For continuous duty.
7	41103907	1	Fan		7,0 m <sup>3</sup> / min. (250 CFM). For continuous duty.
8	41102133	1	Switch		12A
9	3862898	1	Switch plate		WHITE
10	3862899	1	Switch plate		BLACK
11	3862900	1	Switch plate		WOODGRAIN
12	828798	1	Flange		76mm/3"
13	9518554	1	Air hose	SO	76mm/3"
14	41103909	1	Air hose		102mm/4"



DESCRIPTION	SEE SEC.	NOTES
Submersible Bilge Pumps	1	QL PUMP PROGRAMME
Manual Bilge Pumps	2	QL PUMP PROGRAMME
Pump Accessories	6	QL PUMP PROGRAMME
Macerator Pumps	5	QL PUMP PROGRAMME
Water Pressure Pumps	3	QL PUMP PROGRAMME
Impeller Pumps	4	QL PUMP PROGRAMME
WPS300 & 450	8	WPS300 & 450
WPS600	6726	QL PUMP PROGRAMME
WPS650	9	WPS650
WPS800/1200: WPS800	6727	QL PUMP PROGRAMME
WPS800/1200: WPS1200	6727B	QL PUMP PROGRAMME
WD800, WD1200 12V, WD1200 24V	6728	QL PUMP PROGRAMME

--

DESCRIPTION	SEE SEC.	NOTES
Electric Thrusters	11	QL THRUSTER PROGRAMME
Hydraulic Thrusters	12	QL THRUSTER PROGRAMME
Truster Accessories	13	QL THRUSTER PROGRAMME
BP250&300	14	BP250&300
BP450	15	BP450
BP500&600	16	BP500&600
BP800	17	BP800
BP900	18	BP900
BP1200	19	BP1200
BP1300	20	BP1300
SP600	21	SP600
SP900	22	SP900
SP1300	23	SP1300
BP1000H	24	BP1000H
BP1500H	25	BP1500H
CT600	7726	CT600
Spare Parts, Control panel	26	

--

DESCRIPTION	SEE SEC.
Water Heaters	27
Water Heater Accessories/Spare Parts	28

--

DESCRIPTION	SEE SEC.	NOTES
Fuel Decontaminator Units	29	DC140, DC500, DC1000

--

DESCRIPTION	SEE SEC.
Air Heaters	30
Air Heater Accessories/Spare Parts	31

--

DESCRIPTION	SEE SEC.
Navigation Equipment	32

--

DESCRIPTION	SEE SEC.
Sound Absorbants	33

--

DESCRIPTION	SEE SEC.
Windlass	34
Windlass Accessories	35
Windlass Spare Parts	36



--

DESCRIPTION	SEE SEC.
Spare parts for Trim tabs -> 1995	43
Spare parts for Trim tabs 1996 -> 1997	42
Spare parts for Trim tabs 1998 ->	41
Standard Complete Pump Kit	37
High Performance Complete Pump Kit	38
Tablocator kit	40
Tablocator kit, Spare Parts	7724
Trim tabs	39



QL

REF	DESCRIPTION	SEE SEC.
81	QL PUMP PROGRAMME	81
82	QL THRUSTER PROGRAMME	82
83	QL WATER HEATER PROGRAMME	83
84	QL DECONTAMINATORS	84
85	QL AIR HEATERS	85
86	QL NAVIAGTION EQUIPMENT	86
87	QL SOUND ABSORBANTS	87
88	QL WINDLASS	88
89	QL TRIM TABS PROGRAMME	89
90	Miscellaneous Equipment	90



**Marine Accessories  
By Volvo Penta**

**QL – Quality Line – a series of marine accessories supported by  
the Volvo Penta dealer network and selected  
independent dealers worldwide.**

**[www.qlmarine.com](http://www.qlmarine.com)**